

# Spherical Bushing Set

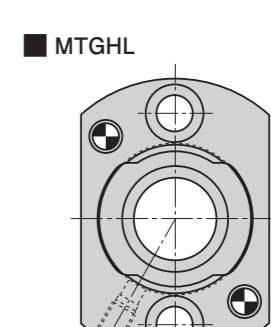
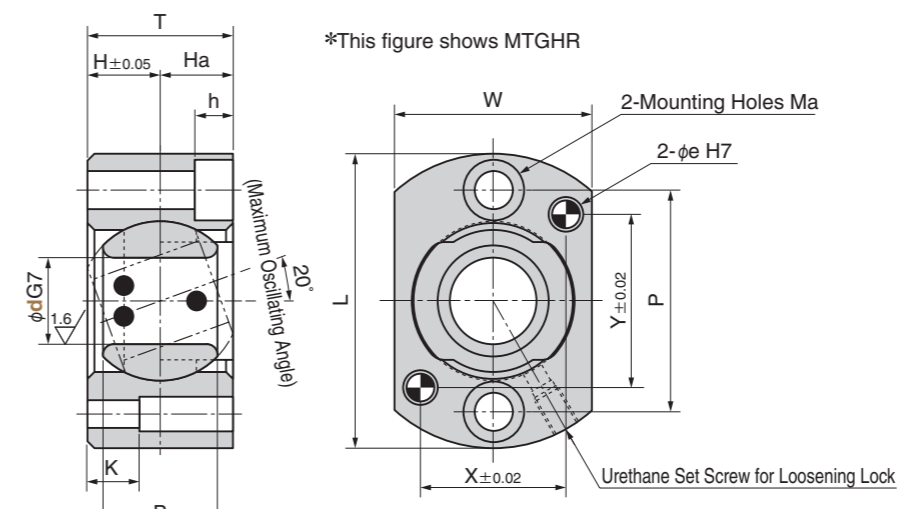
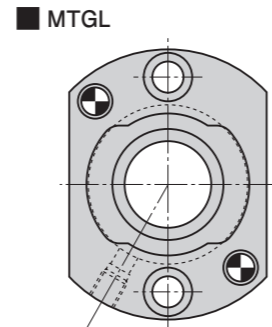
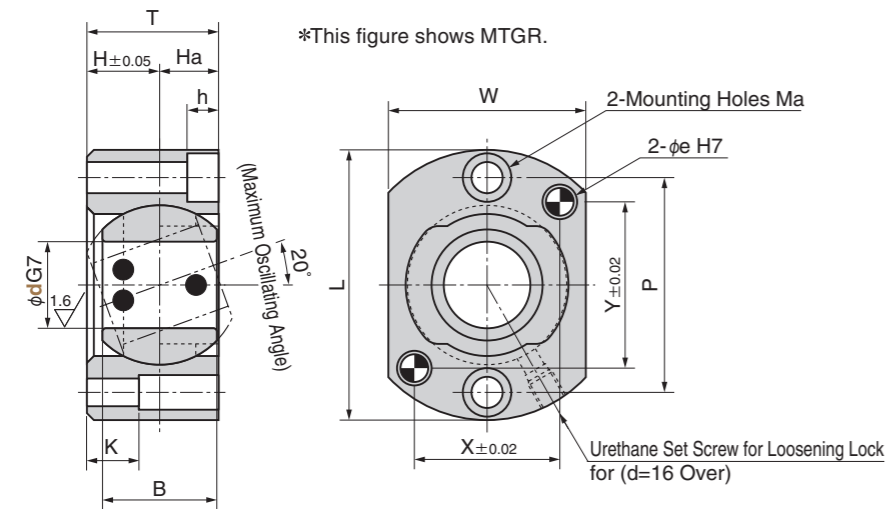
Copper Alloy  
Spherical Type  
SO#50SP2



Standard Type  
**MTGL** (Left Handed)  
**MTGR** (Right Handed)



Strong Type  
**MTGHL** (Left Handed)  
**MTGHR** (Right Handed)



● Sliding Direction  
← →

● Recommended mating post tolerance g6 Inner ring Copper alloy (SO-2)  
Solid lubricant (GR-1)  
Case S45C Tempered

● Sliding Direction  
← →

● Recommended mating post tolerance g6 Inner ring Copper alloy (SO-2)  
Solid lubricant (GR-1)  
Case S45C Tempered

L	W	T	H	Ha	B	S	Mounting Holes			Dowel Pin Hole				Catalog No.	d
							Ma	P	h	e	X	Y	K		
44	28	17	9	8	14	19	M5	32		5	20	28	9	MTGL MTGR	8
46	30	20	11	9	16	22		34	6		22	30	10		10
50	32	22	12	10	18	24	M6	36			22	30	12	MTGL MTGR	12
58	45	29	16	13	25	34		45	7		30	35	15		16
65	50	33	18	15	28	39	M8	52			35	40		MTGL MTGR	20
78	57	38	21	17	33	46		62	9	8	40	50			25
86	65	43	24	19	37	54		70			48	55			30

▲ Urethane Stopper is attached for d=16 over

### Accessory

d	Hexagonal Socket Head Bolt	Dowel Pin
8	M5×20	φ5×20
10	M5×25	
12	M6×25	
16	M6×35	φ6×25
20	M6×40	
25	M8×45	φ8×30
30	M8×50	

### Allowable Load

(Unit : kN)

d	MTGL/R		MTGHL/R	
	Thrust Load	Radial Load	Thrust Load	Radial Load
8	0.5	4.9		
10	0.6	6.1		
12	0.7	8.4		
16	1.6	15.4		
20	2.0	18.6		
25	2.9	31.3	2.9	31.3
30	3.8	33.1	3.8	33.1
35			4.4	33.1
40			4.8	33.1
50			7.0	51.7

Order Catalog No. **MTGR** d **16**

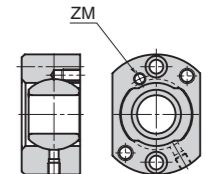
L	W	T	H	Ha	B	S	Mounting Holes			Dowel Pin Hole				Catalog No.	d
							Ma	P	h	e	X	Y	K		
85	57	42	21	21	33	46	M10	64	11		42	50		MTGHL MTGHR	25
94	65	48	24	24	37	54		72	13	8	48	55	15		30
98	72	54	27	27	40	60	M12	78			52	60		MTGHL MTGHR	35
106	77	58	29	29	44	65		84	12		55	65			40
124	88	66	33	33	48	76		102	18	10	65	78	20		50

### Accessory

d	Hexagonal Socket Head Bolt	Dowel Pin
25	M10×45	
30	M10×55	
35	M10×60	φ8×30
40	M10×65	
50	M12×65	φ10×40

### Option

Option Code	Specification
ZM	Position of Urethane Stopper is on the front face as per right sketch. (For d ≥ 16)



Order Catalog No. **MTGHL** d **30**

Order **MTGR 25- ZM**