

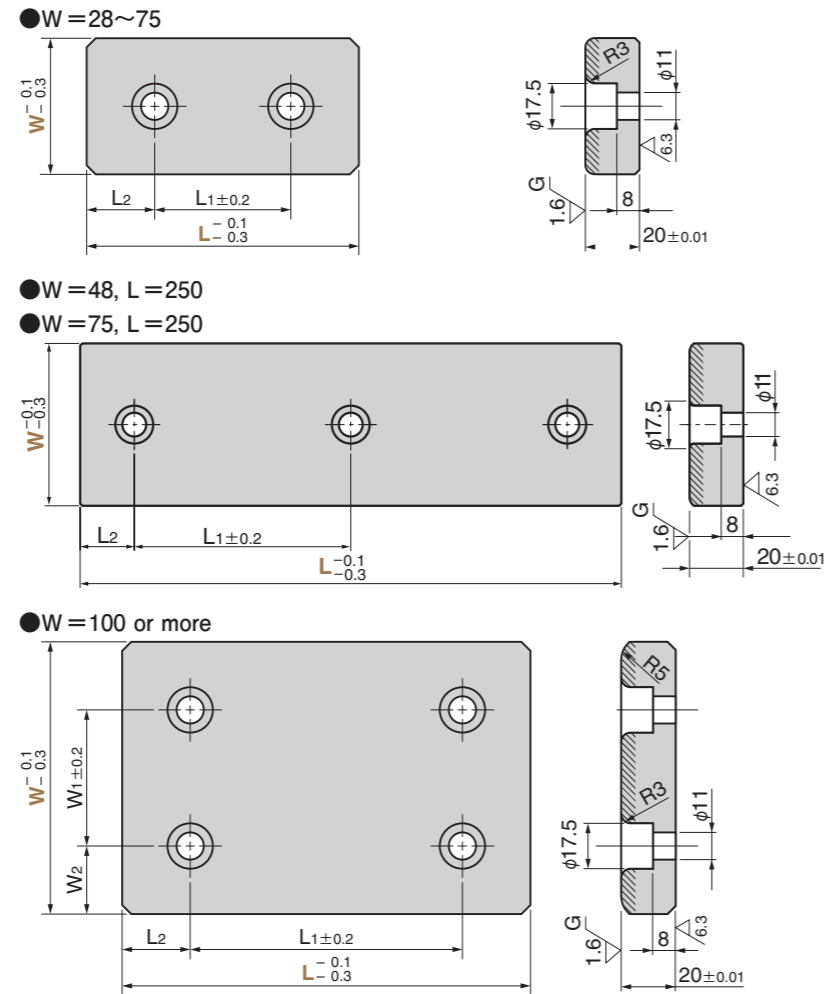
# Oilless Slide Plate

Copper Powder Sintered Type  
Thickness 20mm

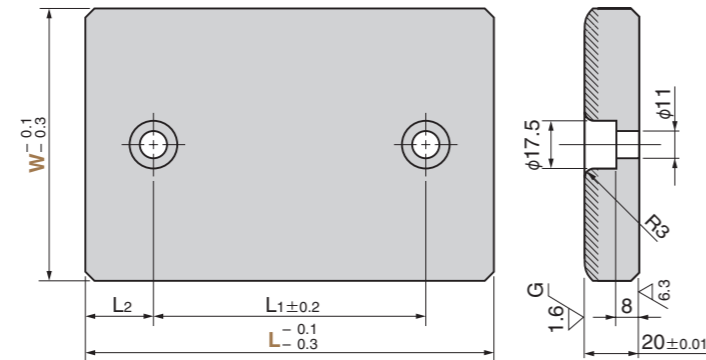
SO#220



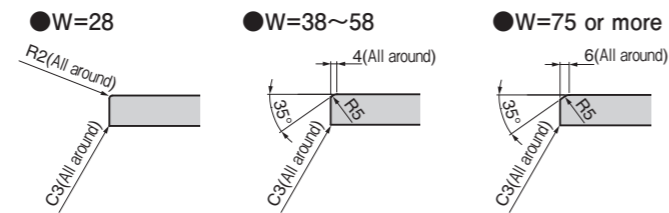
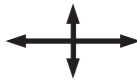
## SOX



## SOXT (2-Hole Type)



● Sliding Direction



Material Copper powder sintered(SO#220)  
Hatched area sintered  
Thickness 1.2mm or more  
SS400 (Base Plate)

W <sub>1</sub>	W <sub>2</sub>	L <sub>1</sub>	L <sub>2</sub>	Catalog No.	W	L	
						SOX	SOXT
		45	15			75	
		50	25		28	100	
		100				150	
		45	15			75	
		50			38	100	
		75	25			125	
		100				150	
		45	15			75	
		50				100	
		75	25		48	125	
		100				150	
		100	50	SOX		200	
			25			250	
		45	15			75	
		50			58	100	
		100				150	
		25				75	
		50				100	
		75			75	125	
		100				150	
		150	25			200	
		100				250	
		50				100	100
		75				125	125
50	25	100			100	150	150
		150				200	200
		200				250	250
			50			300	300
		75		SOX		125	125
		100		SOXT		150	150
50	37.5	150	25		125	200	200
		200				250	250
			50			300	
		100				150	150
100	25	150	25		150	200	200
		200				250	250

W<sub>1</sub> and W<sub>2</sub> are the dimensions only for SOX (W=100 or more).



Order

Catalog No.	W	L
SOX	28	75
SOXT	100	100

### Operation Range

Lubricating Condition	Environment Condition	Max. Allowable Load P N/mm <sup>2</sup>	Max. Allowable Sliding Speed V m/min	Max. Allowable PV value N/mm <sup>2</sup> · m/min	Operation Range Temperature °C
No lubrication	Atmosphere	50	30	100	-40 ~ +120
Regular lubrication (Grease)		75	60	150	

### Physical Properties

Specific Gravity	Hardness HRM	Compression strength N/mm <sup>2</sup> (0.2% proof stress)	Impregnation ratio %
6.2±0.3	70 ~ 90	200 ~ 250	18 or more

■ We are ready to accept requests or orders for special parts.