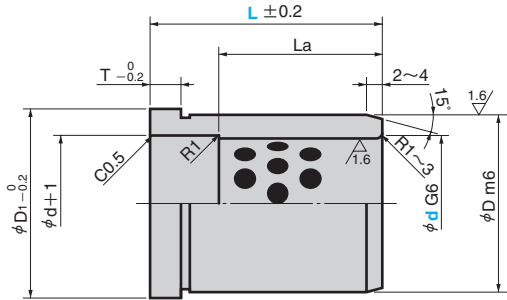


RGBF



● Sliding Direction



Material : Bronze with Graphite(SO#50 SP2)

*Operation ambient temperature: 0 to 170°C

d G6	D m6	D1	T	La	Catalog No.	d	L
12	18	+0.018 +0.007	25	4	RGBF	12	19
							24
							29
							34
16	25	+0.017 +0.006	30	6	RGBF	16	19
							24
							29
							30
20	30	+0.021 +0.008	35	8	RGBF	20	24
							29
							34
							39
25	35	+0.020 +0.007	40	8	RGBF	25	40
							24
							29
							34
30	42	+0.025 +0.009	47	10	RGBF	30	24
							29
							34
							39
35	48	+0.025 +0.009	54	10	RGBF	35	49
							59
							69
							70
40	55	+0.025 +0.009	61	12	RGBF	40	69
							79
							80
							89
50	70	+0.030 +0.011	76	12	RGBF	50	49
							59
							69
							79
60	80	+0.029 +0.010	86	15	RGBF	60	89
							99
							109
							110

d G6	D m6	D1	T	La	Catalog No.	d	L
30	42	47	10	10	RGBF	30	29
							34
							39
							49
35	48	54	10	10	RGBF	35	59
							60
							69
							79
40	55	61	12	12	RGBF	40	39
							49
							59
							69
50	70	76	12	12	RGBF	50	79
							89
							99
							109
60	80	86	15	15	RGBF	60	109
							119
							129
							149



Order

Catalog No. d - L

RGBF 35 - 49