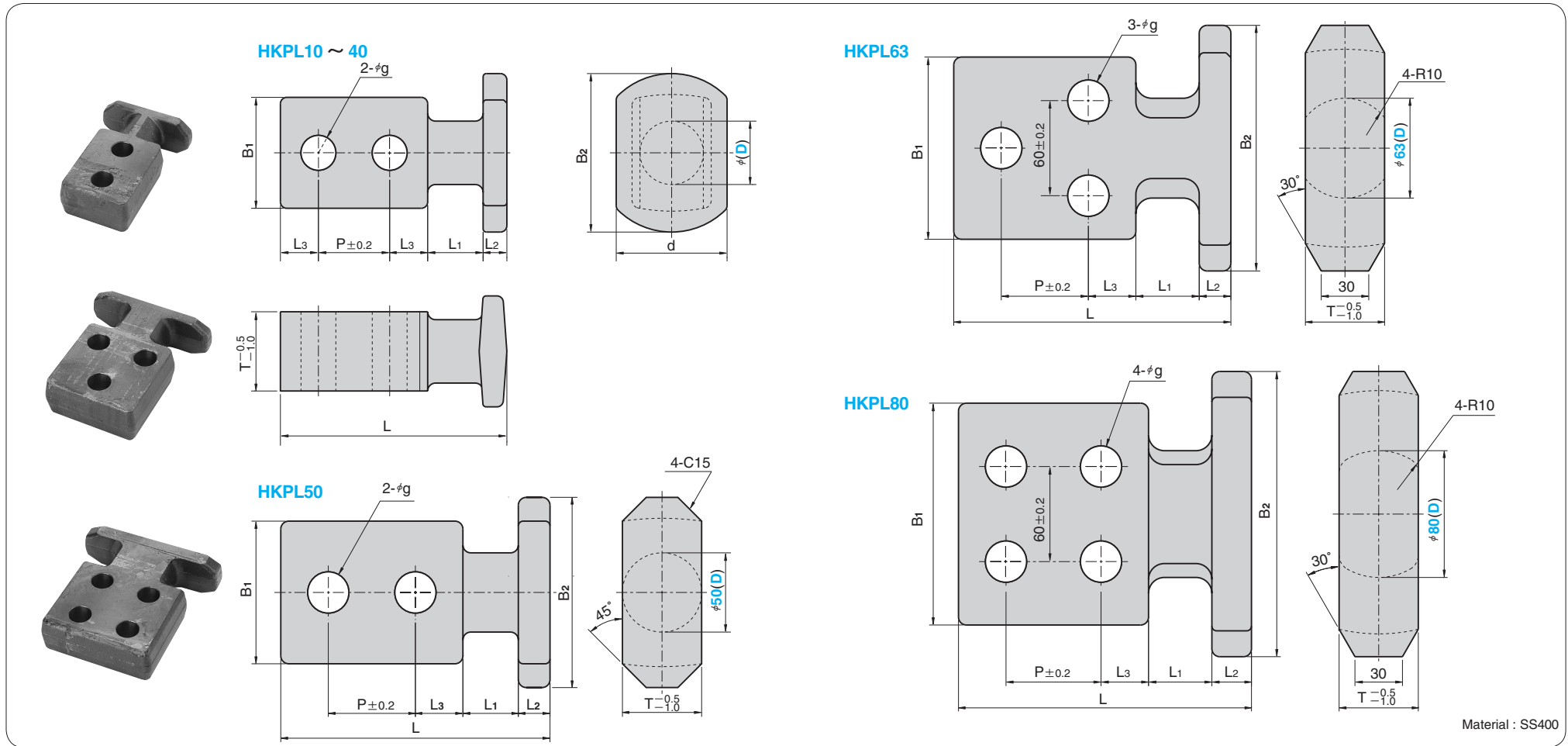


Lifting Hooks

LARGE HEAD TYPE

CAD FILE



d	B1	B2	T	L	L1	L2	L3	P	g	Allowable Load N (kgf)/1P	Catalog No.	(D)
28	28	38	18	61			9	8	16	7	1569(160)	10
32	32	44	20	67	20		9	10	18	9	3530(360)	12
36	36	50	24	78			12	12	22	11	4511(460)	16
40	40	56	26	97	25		15	30	14		5492(560)	20
48	48	68	35	98			13				6570(670)	25
55	55	77	40	125	30		15	20	40	18	12160(1240)	32
70	70	100		143	35		20	24	45	22	19123(1950)	40
	90	120	50	170			20				27459(2800)	50
	115	155		175	40		30	55	26		39227(4000)	63
	140	180		185	25		25	60			50995(5200)	80



Order

Catalog No. (D) - Option
 HKPL 40 -
 HKPL 63 - BT



After tightening mounting bolts, weld the circumference of the hook to the die.

Option -BT

Including following Hexagon Socket Head Bolt.

(D)	Mounting bolt	(D)	Mounting bolt
10	M 6 × 30	32	M16 × 70
12	M 8 × 35	40	M20 × 90
16	M10 × 45	50	M24 × 90
20	M12 × 50	63	M24 × 90
25	M12 × 60	80	M24 × 100