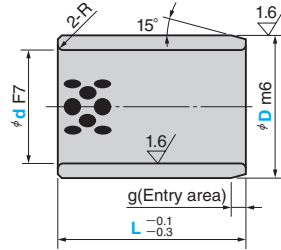


Guide Bushing

UNIVERSAL STRAIGHT TYPE

CAD
FILE

SOB



- Mating post tolerance
d8: General use (high load)
e7: General use (light load)
f7: High precision
- Recommended hole machining tolerance H7

● Sliding Direction



Material: Bronze with Graphite (SO#50 SP2)



Order

Catalog No. **SOB** d **19** - D **26** - L **20**

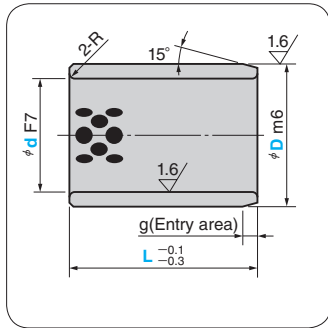
d F7	D m6	R	g	Applicable washer	Catalog No.	d	D	L
6	+0.022 +0.010	10	+0.015 +0.006	-		6	10	12
8		12		0.5		8	12	10
				1				12
								15
10	+0.028 +0.013	14		SOBW10		10	14	8
								10
				1				12
		15	+0.018 +0.007	-			15	15
								20
				0.5				8
								10
								12
12		18		SOBW12	SOB	12	18	15
								16
				1				19
								20
								25
								30
13	+0.034 +0.016	19		0.5	2			10
								12
								15
								20
								25
				1	SOBW13	13	19	16
								20
								25
				0.5				10
								12
14		20	+0.021 +0.008	0.5	SOBW14	14	20	15
								20
								25
				1				30

d F7	D m6	R	g	Applicable washer	Catalog No.	d	D	L
			0.5					10
								12
								15
15	21		1	SOBW15		15	21	16
								20
								25
								30
			0.5					10
								12
								15
								16
16	+0.034 +0.016	22		SOBW16		16	22	19
								20
								25
								30
								35
								40
17		23		-		17	23	15
								10
								12
								15
								16
18		24	1	SOBW18		18	24	20
								25
								30
								35
								40
19		26		-	SOB	19	26	15
								20
								10
								12
								15
								16
								19
								20
								25
								30
								35
20		28	2	SOBW20		20	28	40
								50
								10
								12
								15
								16
								20
								25
								30
								35
								40
								70
22		32	1	-		22	32	12
								15
								20
								25
								12
25		33	+0.025 +0.009	1	2	SOBW25	25	15
								16
								20
								25
								2

Guide Bushing

UNIVERSAL STRAIGHT TYPE

CAD
FILE



Order

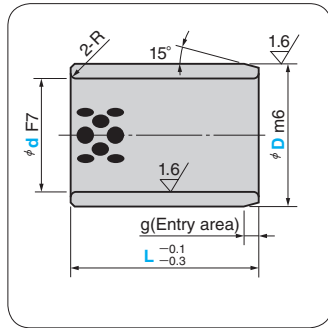
Catalog No. **SOB** **d** - **D** - **L**
35 - **45** - **25**

d F7	D m6	R	g	Applicable washer	Catalog No.	d	D	L
								30
								35
	33		2	SOBW25			33	40
								50
								60
								12
25			1			25		15
								16
								20
	35			-			35	25
								30
			2					35
								40
								50
			1					20
28			2	SOBW28		28	38	25
								30
								40
					SOB			12
								15
	38		1	2				20
								25
							38	30
								35
			2	SOBW30				40
								50
30						30		60
								12
			1					15
								20
								25
							40	30
								35
	40			-			40	40
								50
			2					60
31.5						31.5	40	30
								40

d F7	D m6	R	g	Applicable washer	Catalog No.	d	D	L
								15
32								20
	42			-		32	42	30
								40
			1					20
								25
								30
	44			SOBW35			44	35
								40
								50
								60
35						35		15
								20
								25
								30
							45	35
								40
								50
	45			-			45	30
								35
								40
								50
								60
38						38	48	30
								40
								15
								20
								25
								30
								35
								40
								50
								60
								70
								80
								15
								25
								30
								35
								40
								50
								60
								70
								80
								15
								25
								30
								35
								40
								50
								60
								70
								80
								15
								25
								30
								35
								40
								50
								60
								70
								80
								15
								25
								30
								35
								40
								50
								60
								70
								80
								15
								25
								30
								35
								40
								50
								60
								70
								80
								15
								25
								30
								35
								40
								50
								60
								70
								80
								15
								25
								30
								35
								40
								50
								60
								70
								80
								15
								25
								30
								35
								40
								50
								60
								70
								80
								15
								25
								30
								35
								40
								50
								60
								70
								80
								15
								25
								30
								35
								40
								50
								60
								70
								80
								15
								25
								30
								35
								40
								50
								60
								70
								80
								15
								25
								30
								35
								40
								50
								60
								70
								80
								15
								25
								30
								35
								40
								50
								60
								70
								80
								15
								25
								30
								35
								40
								50
								60
								70
								80
								15
								25
								30
								35
								40
								50
								60
								70
								80
								15
								25
								30
								35
								40
								50
								60
								70
								80
								15
								25
								30
								35
								40
								50
								60
								70
								80
								15
								25
								30
								35
								40
								50
								60
								70
								80
								15
								25
								30
								35
								40
								50
								60
								70
								80
								15
								25
								30
								35
								40
								50
								60
								70
								80
								15
								25
								30
								35
								40
								50
								60
								70
								80
								15

Guide Bushing

UNIVERSAL STRAIGHT TYPE



Order

Catalog No. **SOB** **d** - **D** - **L**
50 - **65** - **80**

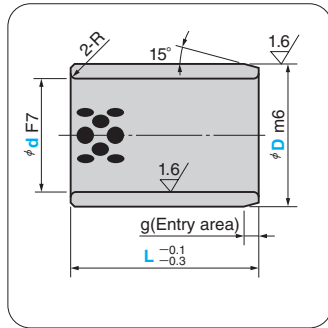
d F7	D m6	R	g	Applicable washer	Catalog No.	d	D	L
		2	2				60	35
								40
	60						60	50
		3	3					60
								70
								80
								30
		2	2					35
								40
50	$\begin{matrix} +0.050 \\ +0.025 \end{matrix}$	62		SOBW50		50	62	50
								60
		3	3					70
								80
								30
		2	2					40
								40
								50
							65	60
		3	3					70
								80
					SOB			100
								30
		2	2					35
55		70		SOBW55		55	70	40
								50
		3	3					60
								70
								30
		2	2					35
								40
								40
	$\begin{matrix} +0.060 \\ +0.030 \end{matrix}$	74					74	50
								60
		3	3					70
								80
60				SOBW60		60		100
								30
		2	2					35
								40
								40
								50
								60
								70
								80
								80
								100
								100

d F7	D m6	R	g	Applicable washer	Catalog No.	d	D	L
								60
63						63	75	70
								80
								40
								50
65				SOBW65		65	80	60
								70
								80
								30
								35
								40
								50
							85	60
					SOBW70			70
70						70		80
								100
								50
								60
							90	70
								80
								100
								50
								60
								70
75	$\begin{matrix} +0.060 \\ +0.030 \end{matrix}$			SOBW75		75		80
								100
					SOB			60
							95	70
								80
								100
								20
								40
								50
								60
								70
								80
								100
								120
								40
								50
								60
								70
								80
								100
								120
								140
								25
85						85	100	60
								80
								30
								50
								60
								70
								80
								90
								100
								120
								100
								120
								140
								25
								60
								80
								30
								50
								60
								70
90	$\begin{matrix} +0.071 \\ +0.036 \end{matrix}$			SOBW90		90	110	80
								90
								100
								120

Guide Bushing

UNIVERSAL STRAIGHT TYPE

CAD FILE



Order

Catalog No. SOB d 120 - D 140 - L 100

d F7	D m6	R	g	Applicable washer	Catalog No.	d	D	L	
100	115	3	3	SOBW100	SOB	100	115	100	
		2	2					40	
	120	+0.035 +0.013	3					3	50
									60
									70
									80
									90
									100
									120
									140
110	130	3	3	-	SOB	110	130	50	
								70	
								80	
								100	
								120	
								140	
120	140	3	3	SOBW120	SOB	120	140	80	
								90	
								100	
								120	
								140	
								100	
								120	
								140	
								150	
								125	145
130	150	3	3	120					
				130					
140	160	3	3	140					
				150					
150	170	4	4	80					
				100					
160	180	3	3	150					
				100					
170	190	3	3	150					
				100					
180	200	3	3	100					
				150					
190	210	3	3	100					
				150					
200	230	3	3	100					
				150					

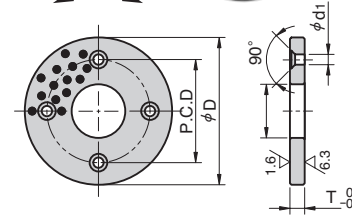
Washer

WASHER

CAD FILE

SOBW

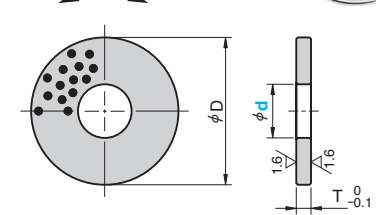
Sliding direction



SOBWN

(Type Without Bolt Holes)

Sliding direction



Material : Bronze with Graphite (SO#50 SP2)



Order

Catalog No. SOBW d(nominal) 10

d(Actual size)	D	T	Bolt mounting hole			Catalog No.	d(nominal)
			P.C.D	Quantity	Flat head screw		
10.2	30	3	20	2	M3	3.5	10
12.2	40		28				12
13.2							13
14.2							14
15.2	50	35	20	M5	6	15	
16.2						16	
18.2						18	
20.2						20	
25.2	55	5	40	M6	7	25	
30.2	60		45			30	
35.2	70		50			35	
40.2	80	7	60	M8	9	40	
45.3	90		67.5			45	
50.3	100		75			50	
55.3	110	8	85	M10	11	55	
60.3	120		90			60	
65.3	125		95			65	
70.3	130		100			70	
75.3	140	10	110	M10	11	75	
80.3	150		120			80	
90.5	170		140			90	
100.5	190	10	160	M10	11	100	
120.5	200		175			120	

■ Type without Bolt hole

d(Actual size)	D	T	Catalog No.	d(nominal)
10.2	30	3	SOBWN	10
12.2	40			12
16.2	50			16
20.2	55	5	SOBWN	20
25.2				25
30.2	60	5	SOBWN	30



Order

Catalog No. SOBWN d(nominal) 10