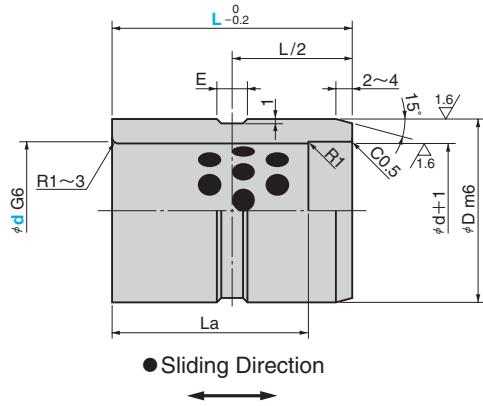


RGB



● Sliding Direction



Material : Bronze with Graphite(SO#50 SP2)

\*Operation ambient temperature: 0 to 170°C

| d G6 | D m6 | La               | E | Catalog No. | d  | L  |
|------|------|------------------|---|-------------|----|----|
| 12   | 18   | +0.018<br>+0.007 | 4 | RGB         | 12 | 9  |
|      |      |                  |   |             |    | 14 |
|      |      |                  |   |             |    | 19 |
|      |      |                  |   |             |    | 24 |
| 16   | 25   | +0.017<br>+0.006 | 4 | RGB         | 16 | 14 |
|      |      |                  |   |             |    | 19 |
|      |      |                  |   |             |    | 24 |
|      |      |                  |   |             |    | 29 |
| 20   | 30   | +0.021<br>+0.008 | 6 | RGB         | 20 | 24 |
|      |      |                  |   |             |    | 29 |
|      |      |                  |   |             |    | 34 |
|      |      |                  |   |             |    | 39 |
| 25   | 35   | +0.020<br>+0.007 | 8 | RGB         | 25 | 34 |
|      |      |                  |   |             |    | 39 |
|      |      |                  |   |             |    | 49 |
|      |      |                  |   |             |    | 59 |

| d G6 | D m6 | La               | E  | Catalog No. | d  | L   |
|------|------|------------------|----|-------------|----|-----|
| 30   | 42   | +0.020<br>+0.007 | 8  | RGB         | 30 | 29  |
|      |      |                  |    |             |    | 34  |
|      |      |                  |    |             |    | 39  |
|      |      |                  |    |             |    | 49  |
| 35   | 48   | +0.025<br>+0.009 | 8  | RGB         | 35 | 59  |
|      |      |                  |    |             |    | 60  |
|      |      |                  |    |             |    | 29  |
|      |      |                  |    |             |    | 34  |
| 40   | 55   | +0.025<br>+0.009 | 8  | RGB         | 40 | 39  |
|      |      |                  |    |             |    | 49  |
|      |      |                  |    |             |    | 59  |
|      |      |                  |    |             |    | 69  |
| 50   | 70   | +0.030<br>+0.011 | 10 | RGB         | 50 | 79  |
|      |      |                  |    |             |    | 89  |
|      |      |                  |    |             |    | 90  |
|      |      |                  |    |             |    | 99  |
| 60   | 80   | +0.029<br>+0.010 | 10 | RGB         | 60 | 59  |
|      |      |                  |    |             |    | 69  |
|      |      |                  |    |             |    | 79  |
|      |      |                  |    |             |    | 89  |
| 80   | 100  | +0.035<br>+0.013 | 10 | RGB         | 80 | 90  |
|      |      |                  |    |             |    | 99  |
|      |      |                  |    |             |    | 109 |
|      |      |                  |    |             |    | 119 |



Order

Catalog No. **RGB** d **25** - L **39**