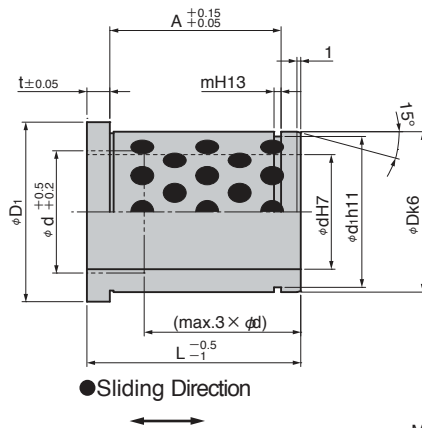


SOST



Material : Bronze with Graphite (SO#50 SP2)

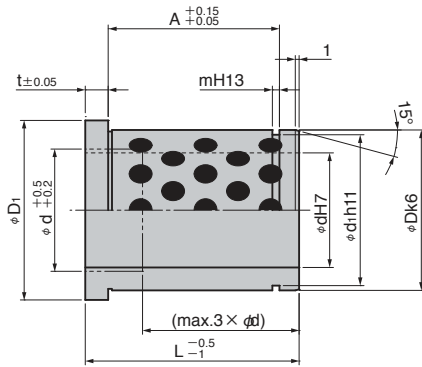
* When the product is used at high temperature (150°C or more), the embedding specification of solid lubricant is different. Please contact us for details.

Order -
SOST 09 - 012

t	D k6	D ₁	d H7	d ₁ h11	A	m H13	Cagalog No.	d	L
					6.6				012
					11.6				017
			9		16.6			09	022
					21.6				027
3	14	-0.032 -0.050	16	+0.015 0	13.4	0 -0.110			036
					6.6				012
					11.6				017
			10		16.6			10	022
					21.6				027
					30.6				036

t	D k6	D ₁	d H7	d ₁ h11	A	m H13	Cagalog No.	d	L
					8.3				017
	18	+0.012 +0.001	23	12	17	0 -0.110		12	022
					18.3				027
					27.3				036
					8.3				017
					13.3				022
			14		18.3			14	027
					27.3				036
					37.3				046
	20		25		19				056
					8.3				017
					13.3				022
			15		18.3			15	027
					27.3				036
				+0.018 0	37.3				046
					47.3				056
					8.3				017
6					13.3	1.3	+0.140 0		022
					18.3			SOST	027
	22	+0.015 +0.002	27	16	21			16	036
					27.3				046
					37.3				056
					47.3				056
					8.3				017
					13.3				022
					18.3				027
			18		27.3			18	036
					37.3				046
					47.3				056
					57.3				066
	26		31		24.9				017
					8.3				022
					13.3				022
					18.3				027
			20	+0.021 0	27.3			20	036
					37.3				046
					47.3				056
					57.3				066

SOST



Order

Catalog No. **SOST** d **24** - L **022**

t	D k6	D ₁	d H7	d ₁ h11	A	m H13	Catalog No.	d	L
					7.6				017
					12.6				022
					17.6				027
					26.6				036
			22		36.6			22	046
					46.6				056
					56.6				066
					66.6				076
					76.6				086
	30	+0.015/-0.002	35		28.6	0/-0.130			017
					7.6		1.6		022
					12.6				027
					17.6				036
					26.6				046
6			24	+0.021/0	36.6			+0.140/+0	SOST 24 046
					46.6				056
					56.6				066
					66.6				076
					76.6				086
					15.85				027
					24.85				036
					34.85				046
					44.85				056
	42	+0.018/+0.002	47	30	39.5	0/-0.160			066
					54.85		1.85		076
					64.85				086
					74.85				096
					84.85				106
					104.85				116

t	D k6	D ₁	d H7	d ₁ h11	A	m H13	Catalog No.	d	L
					15.85				027
					24.85				036
					34.85				046
					44.85				056
6	42	+0.018/+0.002	47	32	39.5	0/-0.160			066
					54.85			32	076
					64.85				086
					74.85				096
					84.85				106
					104.85			+0.140/+0	116
					40.15				056
					50.15				066
					60.15				076
			40	51	0/-0.190	70.15	2.15		086
					80.15			40	096
					100.15				116
					120.15				136
				+0.025/0					156
	54		60						056
					40.15			SOST	066
					50.15				076
					60.15				086
10			42	51	0/-0.190	70.15	2.15	+0.140/0	096
					80.15				106
		+0.021/+0.002			100.15				116
					120.15				136
									156
									076
									086
									096
	66		72	50				50	116
									136
									156
									196
									096
									116
20	80		86	60	+0.030/0			60	136
									156
									196