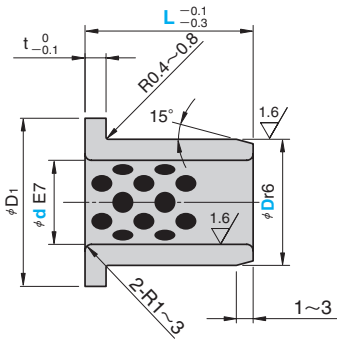


# Guide Bushing

FLANGE TYPE

CAD FILE

SOBF



● Sliding Direction



- Mating post tolerance  
General use (high load) d8  
General use (light load) e7  
High precision f7
- Recommended hole machining tolerance H7

Material : Bronze with Graphite (SO#50 SP2)



Order

Catalog No. **SOBF** d **35** - D **45** - L **25**

d E7	D r6	D1	t	Catalog No.	d	D	L
8	12	20			8	12	10
							12
							15
			2				10
							12
10	14	22			10	14	15
							17
							20
							10
							12
12	18	25			12	18	15
							20
							25
							30
							10
							12
13	19	26			13	19	15
							20
							25
							30
							15
14	20	27			14	20	20
							25
							10
			3	SOBF			12
15	21	28			15	21	15
							20
							25
							30
							12
							15
							18
16	22	29			16	22	20
							23
							25
							30
							35
							40
							15
							20
18	24	32			18	24	25
							30
							35
							40

d E7	D r6	D1	t	Catalog No.	d	D	L
							15
							20
20	30	40			20	30	25
							30
							35
							40
							15
							20
							25
25	35	45			25	35	30
							35
							40
							50
							20
							25
30	40	50			30	40	30
							35
							40
							50
							20
							25
31.5					31.5		30
							35
							40
							20
							25
35	45	60	5		35	45	30
							35
							40
							50
							20
							25
							30
40	50	65			40	50	35
							40
				SOBF			50
							30
							35
45	55	70			45	55	40
							50
							60
							30
							35
50	60	75			50	60	40
							50
							60
							40
							60
55	65	80			55	65	40
							60
							40
60	75	90			60	75	50
							60
65	80	95	7.5		65	80	60
70	85	105			70	85	50
							80
75	90	110			75	90	60
							60
80	100	120			80	100	80
							100
							60
							80
90	110	130			90	110	80
							80
100	120	150			100	120	80
							100
120	140	170	10		120	140	80
							100
130	150	180			130	150	80
							100
140	160	190			140	160	80
							100
150	170	200			150	170	100
							120
160	180	210			160	180	100
							120