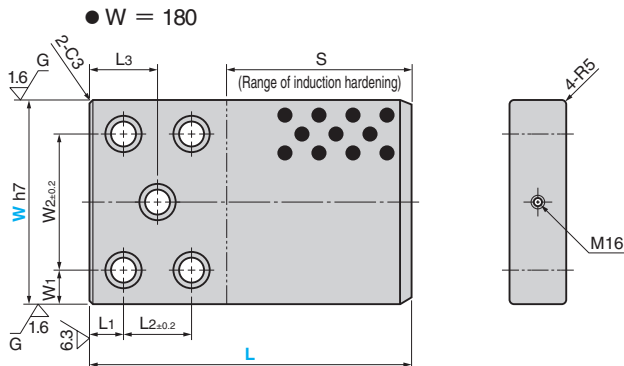
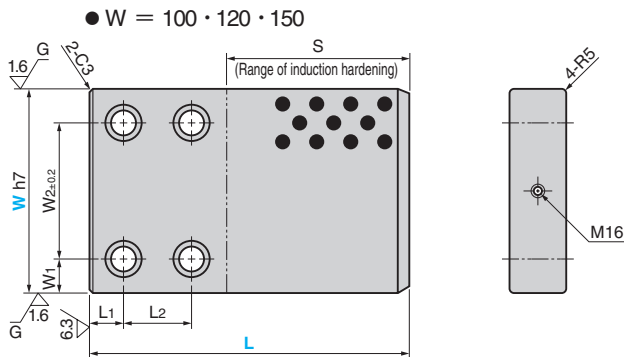
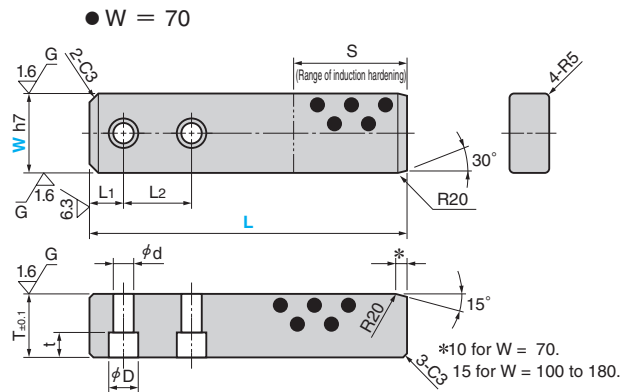


Guide Bar

COUNTERBORE TYPE

CAD
FILE

NGBZ



● Sliding Direction



Material : S45C
with Graphite
Hardness : HRC 40 or more

W	h7	L1	L2	L3	W1	W2	D	d	t	S	T	Catalog No.	W	L
70	0 -0.030	25	60							100	35	NGBZ	70	230
			75				26	18	18	160				260
			150						150	300				
100	0 -0.035	30	60		20					160	45	NGBZ	100	280
			100						200	330				
			120						100	230				
120	0 -0.040	30	60		60					160	50	NGBZ	120	280
			100						160	230				
			120						200	330				
150	0 -0.040	30	60		30					160	55	NGBZ	150	280
			80		90				190	330				
			140						160	390				
180	0 -0.040	30	60	60						160	55	NGBZ	180	280
			80	70	120				190	330				
			140	100					190	390				



Order

Catalog No. **NGBZ** W **70** - L **230**