

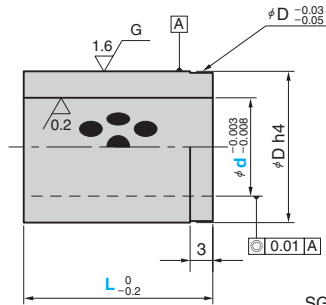
Stripper Guide Bushing

FOR STRIPPER PLATE

CAD
FILE

■ Straight Type

SGSW (Bronze Type)

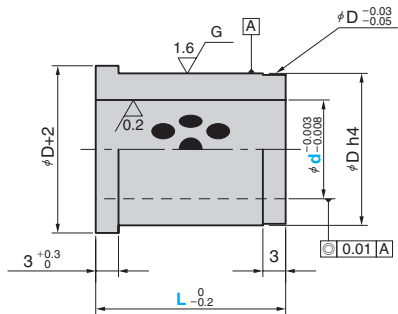


SGSW Material
Bronze with Graphite
(SO#50 SP2)

● Sliding Direction

■ Flange Type

SGFW (Bronze Type)



SGFW Material
Bronze with Graphite
(SO#50 SP2)

● Sliding Direction

Catalog No.	d	D h4	
SGSW	16	24	$0_{-0.006}$
SGFW	20	28	$0_{-0.007}$
	25	34	

Catalog No.	d	L
		20
	16	25
		30
		35
		20
SGSW	20	25
		30
		35
		20
		25
	25	30
		35
		40

Catalog No.	d	L
		20
	16	25
		30
		35
		20
SGFW	20	25
		30
		35
		20
		25
	25	30
		35
		40



Order

Catalog No.	d	-	L
SGSW	16	-	30
SGFW	16	-	25