

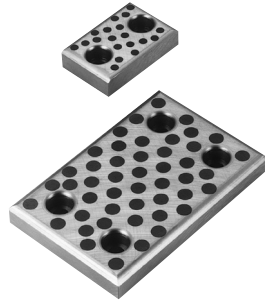
# Wear Plate

Thickness 20 mm

FC TYPE

CAD FILE

## SESF (FC Standard Type)



● Sliding Direction

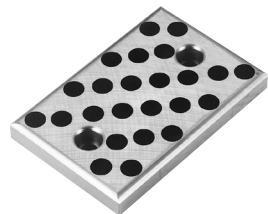
W = 28 · 38



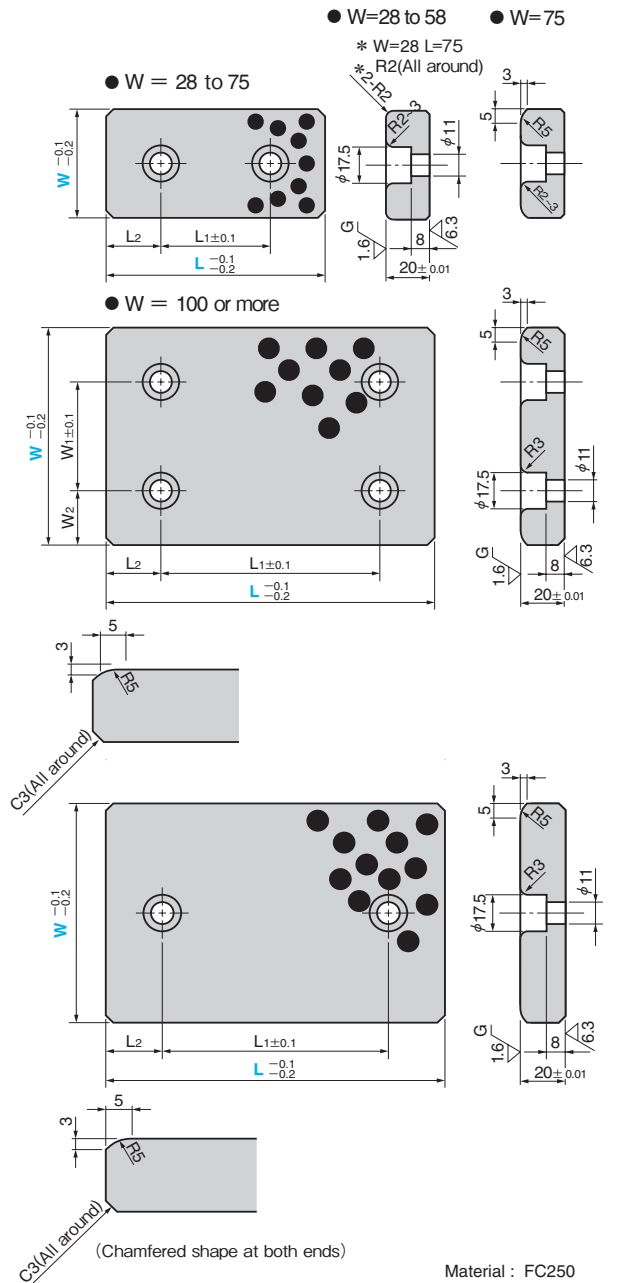
W = 48 or more



## SESFT (FC is 2-hole type)



● Sliding Direction



W <sub>1</sub>	W <sub>2</sub>	L <sub>1</sub>	L <sub>2</sub>	Catalog No.	W	L	
						SESF	SESFT
		45	15			75	
		50			28	100	
		75				125	
		100	25			150	
		150				200	
		45	15			75	
		50			38	100	
		75				125	
		100	25			150	
		150				200	
		45	15			75	
		50			48	100	
		75		SESF		125	
		100	25			150	
		150				200	
		45	15			75	
		50			58	100	
		75				125	
		100				150	
		25				75	
		50	25			100	
		75			75	125	
		100				150	
		150				200	
		200				250	
		50				100	100
		75			125	125	
		100	25		150	150	
50	25	150			100	200	
		200			250	250	
		200	50		300		
		75			SESF SESFT	125	125
		100				150	150
50	37.5	150	25			125	200
		200			250	250	
		200	50		300		
		100			150	150	
100	25	150	25		150	200	
		200			250	250	
		250			300	300	

\* W<sub>1</sub> and W<sub>2</sub> are the dimensions only for SESF (W = 100 or more).



Order

Catalog No.	W	-	L
SESF	48	-	75
SESFT	125	-	125

■ We are ready to accept requests or orders for special parts.