

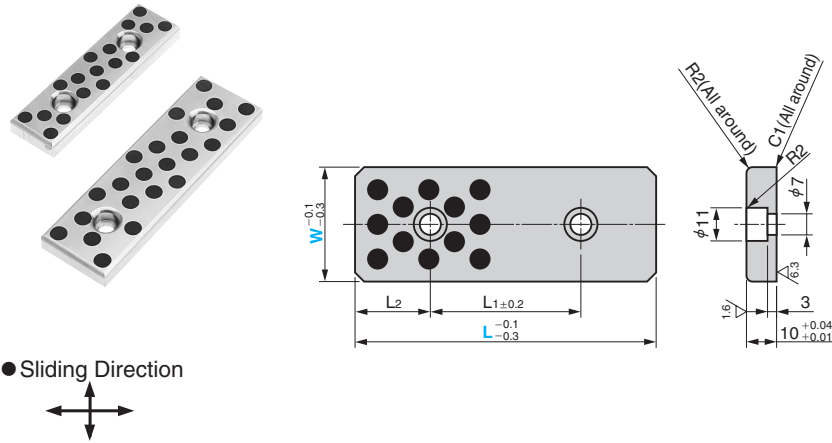
# Slide Plate

Thickness 10 mm

BRONZE AND MINI TYPE

CAD FILE

SOML



Bolt  
M6×15

Material : Bronze with Graphite  
(SO#50 SP2)

L1	L2	Catalog No.	W	L
45	15			75
50			18	100
75	25			125
100				150
45	15			75
50			28	100
75	25			125
100		SOML		150
45	15			75
50			38	100
75	25			125
100				150
45	15			75
50			48	100
75	25			125
100				150

Order   -   
SOML 28 - 100

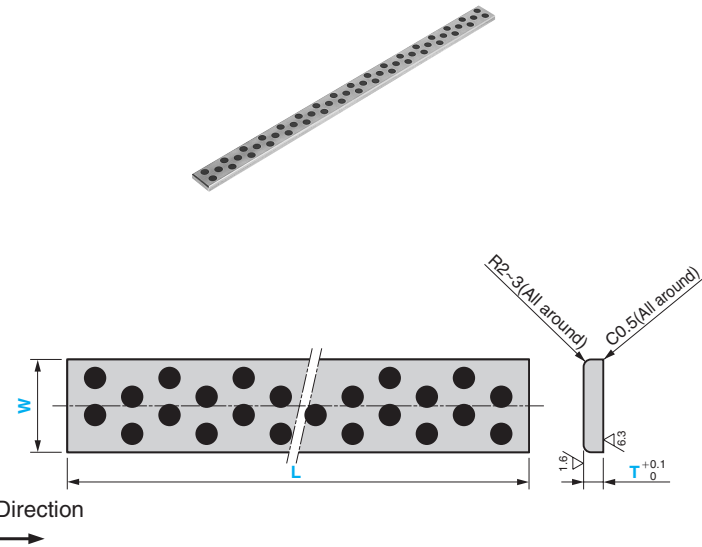
■ We are ready to accept requests or orders for special parts.

# Slide Plate

BLANK TYPE

CAD FILE

FPLB



Material : Bronze with Graphite  
(SO#50 SP2)

T (Actual Size)	Recommended Bolt	Catalog No.	W	L	T (Nominal)
5.3	M6×10 Countersunk head screw	FPLB	20		
			25	305	5
			30	400	
10.3	M8×15 Hexagonal socket head round screw	FPLB	35		
			40	605	10
			50		
15.3	M10×20 Hexagon Socket Bolt		60		15

Order   -  -   
FPLB 25 - 305 - 5

- For Operation
- Cut or drill the plate as required.
  - Please use after machining bolt holes

■ We are ready to accept requests or orders for special parts.