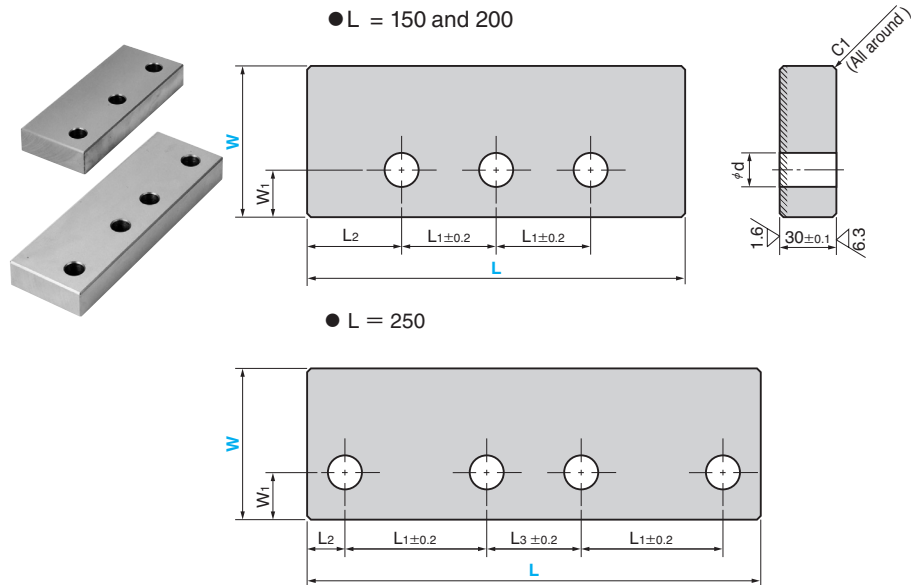


Cam Gib Plate

SINTERED TYPE

CAD FILE

MCUX



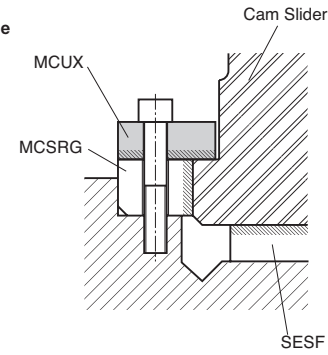
Material : Copper Powder Sintered(SO#220)
 Hatched Area Sintered
 Thickness 1.2 mm or more
 SS400(base plate)

L ₁	L ₂	L ₃	W ₁	d	Catalog No.	W	L
50							150
75	25		25	18	MCUX	82	200
		50					250

Order -
 MCUX 82 - 200

EX

Example



NOTE: Either MCSR50 or MCSRW50 shall be combined with MCUX.