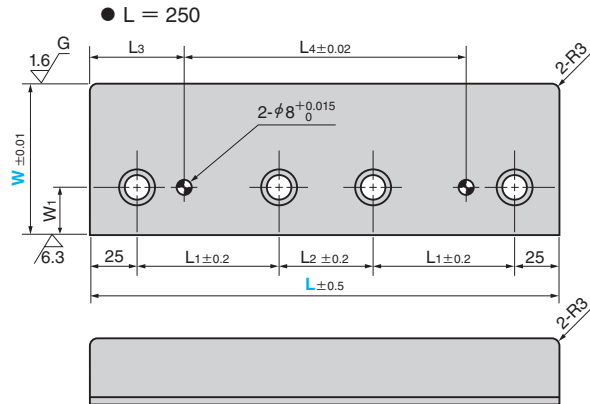
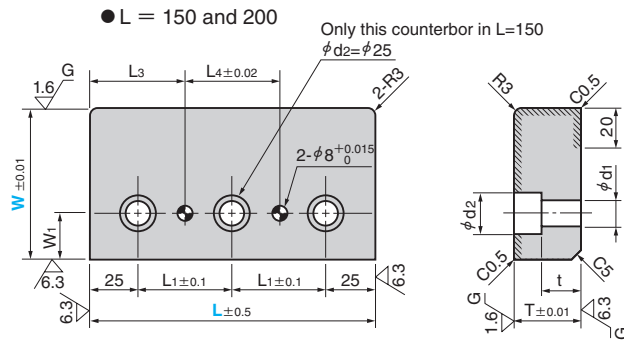


Cam Slide Plate

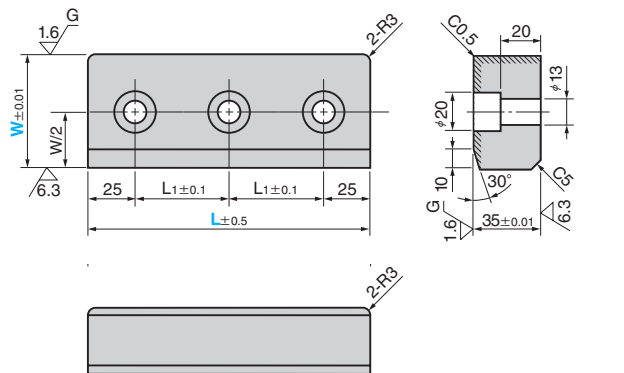
STEEL TYPE

CAD FILE

SHCPA (Steel Lower Type)



SHCP (Steel Side Type)



SHCPA and SHCP
Material : S45C
HRC55 or more
Area to be Induction Hardened
(Hatched Area)

T	L1	L2	L3	L4	W1	t	d1	d2	Catalog No.	W	L
20	50	-		60							150
	75		45	110	20	8	11	18		55	200
35	50	-		50							150
	75		50	100	25	21	13	20	SHCPA	80	200
50	50	-		40				25,26			150
	75		55	90	35	32	18	26		95	200
				140							250

L1	Catalog No.	W	L
50			150
75	SHCP	60	200
100			250

● See the following chart when Cam Side Block (MCSRG at Page 165,166) and Wear Plate are used together. Please follow the wear examples shown.

Cam Slide Plate SHCPA Thickness	MCSRG Thickness T	Wear Plate Thickness
20	30	10
35	45	
50	60	
20	40	20
35	55	
50	70	



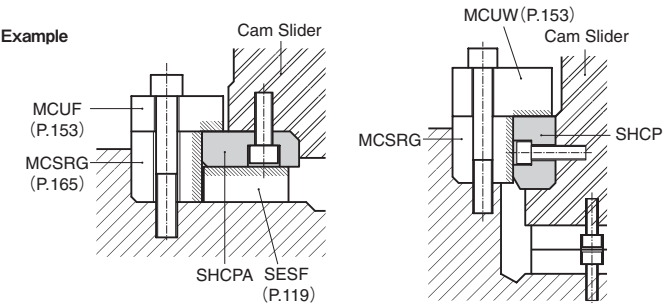
Order

Catalog No.	W	-	L
SHCPA	55	-	150
SHCP	60	-	150

⚠ L size 250 of SHCPA and SHCP is made to order.



Example



■ We are ready to accept requests or orders for special parts.