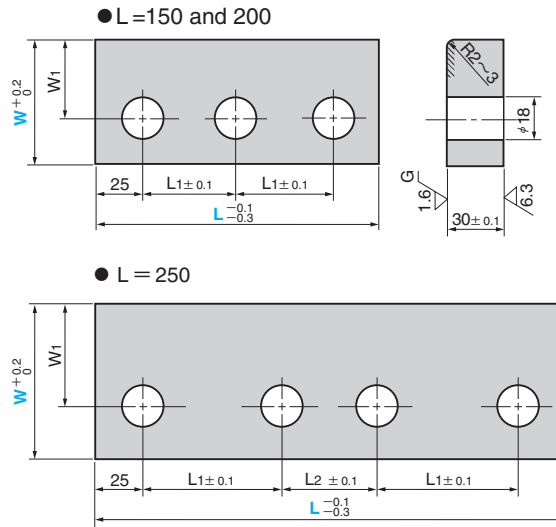


# Cam Gib Plate

STEEL TYPE FOR CAM SLIDE PLATE

CAD FILE

SCUP



Material : S45C  
HRC55 or more  
Area to be Induction Hardened  
(Hatched Area)

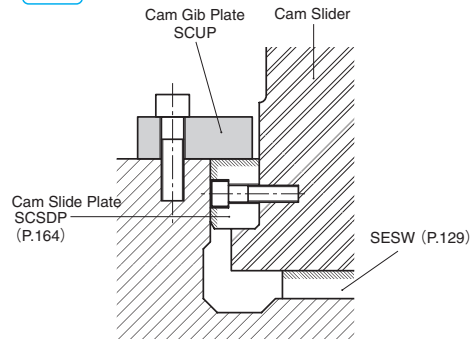
W <sub>1</sub>	L <sub>1</sub>	L <sub>2</sub>	Catalog No.	W	L	
42	50	—	SCUP	67	150	
	75	50			200	
	—	—			250	
57	50	—		82	82	150
	75	—				200
	—	50				250

Order

EX Example

● Use this with the combination below.

SCUP	SCSDP
W	T
67	20
82	35

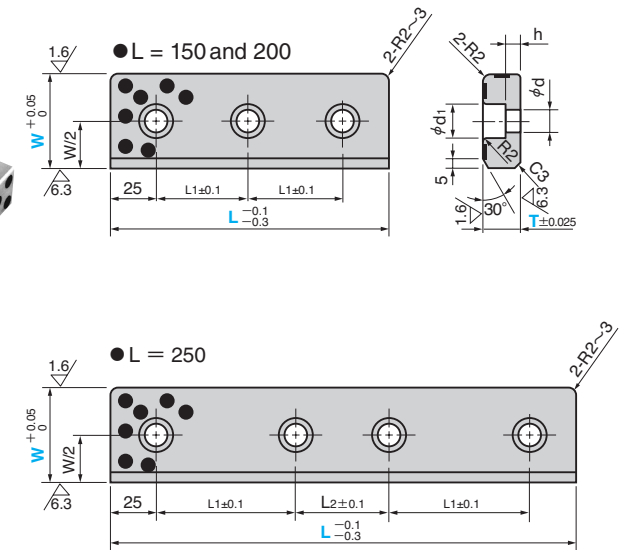


# Cam Slide Plate

BRONZE TYPE

CAD FILE

SCSDP  
(Bronze and Side Type)



● Sliding Direction

Material : Bronze with Graphite  
(SO#50 SP2)

L <sub>1</sub>	L <sub>2</sub>	d	d <sub>1</sub>	h	Catalog No.	W	L	T		
50	—	11	17.5	8	SCSDP	50	150	20		
75	50						200			
—	—						250			
50	—	13	20	20			75	75	150	35
75	50								200	
—	—								250	
50	—	11	17.5	8	SCSDP	75			150	20
75	50								200	
—	—								250	
50	—	13	20	20			SCSDP	75	150	35
75	50								200	
—	—								250	

Order