

Cam Side Block

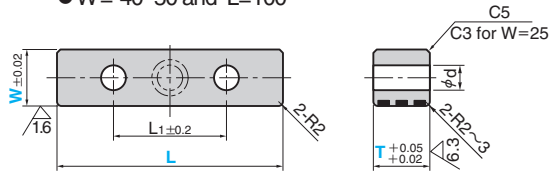
FC AND BRONZE TYPE

Addition

CAD FILE

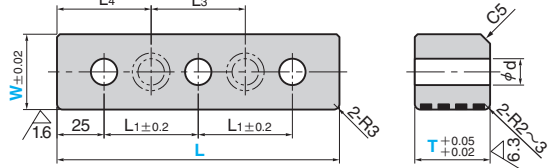
MCSRG (FC Type)
MCSRW (Bronze Type)

- W = 25
- W = 40·50 and L = 100

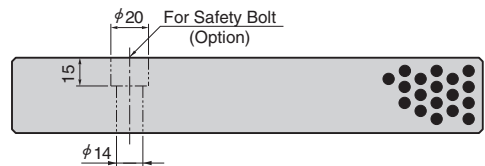
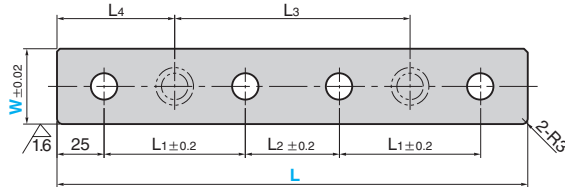


* Holes for safety bolt are optional for W=40 and 50 only.

- W ≥ 40 L = 150 and 200



- W ≥ 40 L = 250



● Sliding Direction



Material
MCSRG FC250 with Graphite
MCSRW Bronze with Graphite(SO#50SP2)



Option

| Option Code | Specification |
|-------------|--|
| ZA | Bolt holes to prevent falling of cam side block are drilled. W=40 and 50 only. |

● Bolt Position

| | L | L3 | L4 |
|-----|-----|------|----|
| 150 | 50 | 50 | |
| 200 | 75 | 62.5 | |
| 250 | 125 | 62.5 | |



Order MCSRG 50 - 200 - 45-ZA

| L1 | L2 | d | Catalog No. | W | L | T |
|-----|----|----|----------------|----|-----|----|
| 45 | | 11 | MCSRG MCSRW | 25 | 75 | 25 |
| 50 | | | | | | |
| 75 | | | | | | |
| 100 | | | | | | |
| 50 | | 14 | MCSRG MCSRW | 40 | 100 | 30 |
| 75 | | | | | | |
| 50 | 50 | | | | | |
| 75 | 50 | | | | | |
| 50 | | 20 | MCSRG MCSRW | 50 | 100 | 45 |
| 75 | | | | | | |
| 50 | 50 | | | | | |
| 75 | 50 | | | | | |
| 50 | | 20 | MCSRG MCSRW | 50 | 150 | 55 |
| 75 | | | | | | |
| 50 | 50 | | | | | |
| 75 | 50 | | | | | |
| 50 | | 20 | MCSRG MCSRW | 50 | 150 | 60 |
| 75 | | | | | | |
| 50 | 50 | | | | | |
| 75 | 50 | | | | | |
| 50 | | 20 | MCSRG MCSRW | 50 | 150 | 70 |
| 75 | | | | | | |
| 50 | 50 | | | | | |
| 75 | 50 | | | | | |



Order

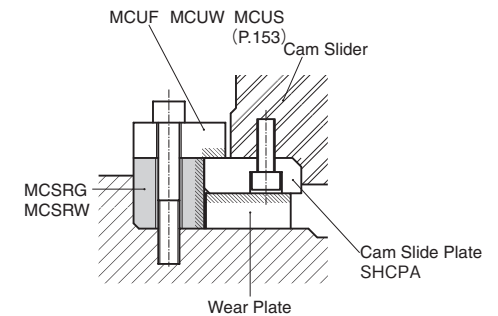
Catalog No. W - L - T
MCSRG 40 - 200 - 30



Example

- When this block is used together with cam side plate or wear plate.

| Wear Plate Thickness | MCSRG Thickness T | Cam Slide Plate Thickness |
|----------------------|-------------------|---------------------------|
| 10 | 30 | 20 |
| | 45 | 35 |
| | 60 | 50 |
| 20 | 40 | 20 |
| | 55 | 35 |
| | 70 | 50 |



■ We are ready to accept requests or orders for special parts.