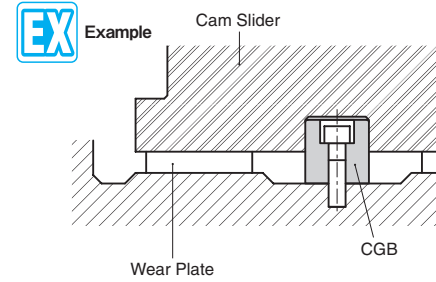
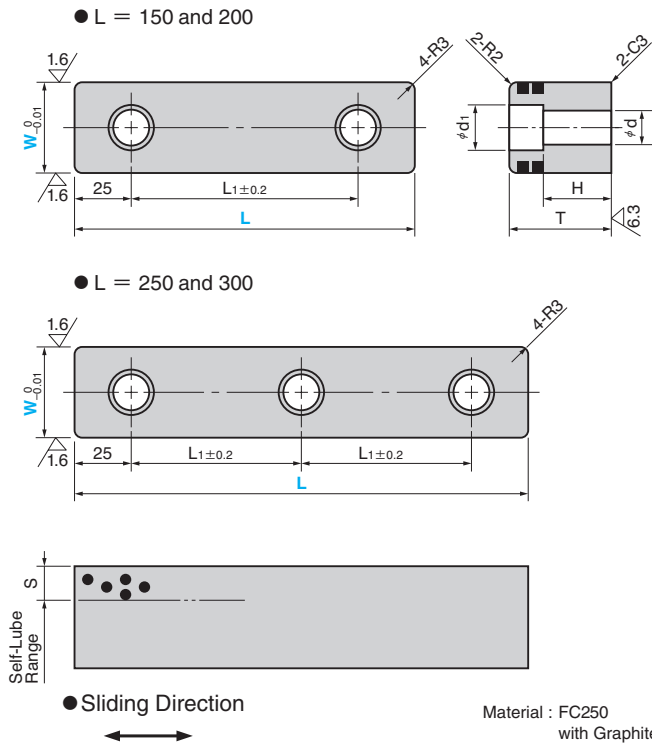


# Cam Slide Guides

BLOCK TYPE

CAD FILE

CGB



T	L <sub>1</sub>	S	d	d <sub>1</sub>	H	Catalog No.	W	L
45	100	15	13	20	30	CGB	40	150
	150							200
60	100	20	18	32	38		60	150
	150							200
	100							250
	125							

Order   -   
 CGB 40 - 150

Cam Slide Components

■ We are ready to accept requests or orders for special parts.