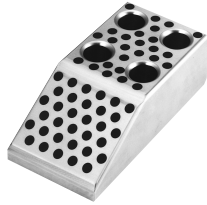


Cam Dwell Plate

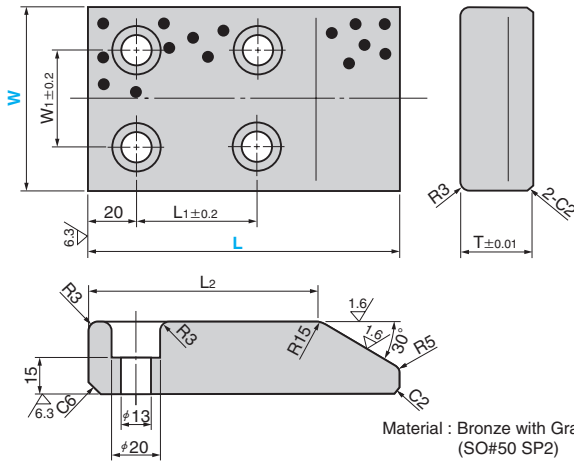
30° TYPE

CAD FILE

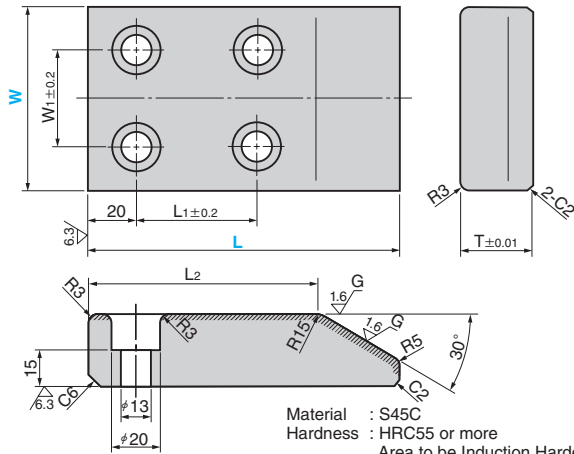
CSPW
(Bronze with Graphite Type)



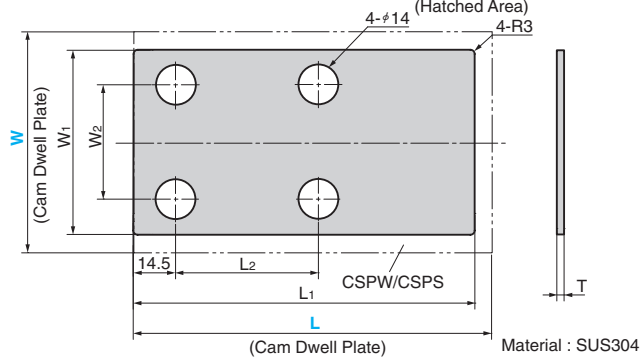
● Sliding Direction
↔



CSPS
(Steel Type)



CMCSA



| T | W ₁ | L ₁ | L ₂ | Catalog No. | W | L |
|----|----------------|----------------|----------------|--------------|------|------|
| 30 | 40 | 50 | 95 | CSPW CSPS | 75 | 130* |
| 45 | | 45 | 90 | | | 150* |
| 30 | 60 | 50 | 95 | | 130* | |
| 45 | | 45 | 90 | | 150* | |
| 60 | | 75 | 120 | | 200 | |
| 30 | | 50 | 95 | | 130* | |
| 45 | 85 | 45 | 90 | 125 | 150* | |
| 60 | | 45 | 90 | 170 | | |
| 30 | 110 | 50 | 95 | 130* | | |
| 45 | | 45 | 90 | 150* | | |
| 60 | | 75 | 120 | 200 | | |
| 60 | | 45 | 90 | 170 | | |

Order
CSPW 75 - 130

*There are shim plate for L=130, 150, see below.

Sim Plate (For CSPW/CSPS)

| W ₁ | L ₁ | W ₂ | L ₂ | Catalog No. | Nominal (Cam Dwell Plate) | | Thick sheet T |
|----------------|----------------|----------------|----------------|-------------|---------------------------|-----|------------------|
| | | | | | W | L | |
| 65 | 120 | 40 | 50 | CMCSA | 75 | 130 | 0.05 0.1 |
| | 140 | | 45 | | 150 | | |
| 90 | 120 | 60 | 50 | | 100 | 130 | |
| | 140 | | 45 | | 150 | | |
| 115 | 120 | 85 | 50 | | 125 | 130 | |
| | 140 | | 45 | | 150 | | |
| 140 | 120 | 110 | 50 | 150 | 130 | | |
| | 140 | | 45 | 150 | | | |

Order - -
CMCSA 75 - 130 - 0.1

The order unit is one piece.