

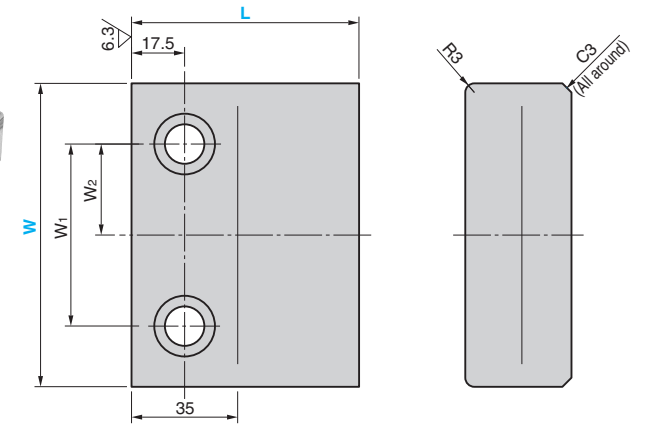
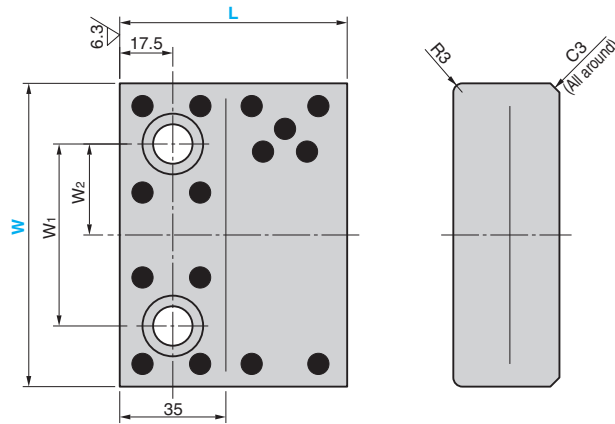
# Cam Dwell Plate

25° 30° COMPACT TYPE

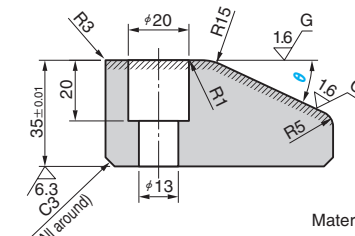
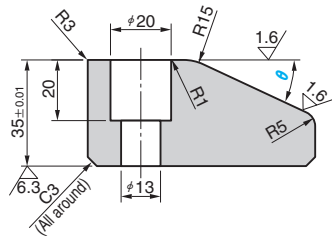


**CSPWL** (Bronze with Graphite Type)

**CSPSL** (Steel Type)



● Sliding Direction  
↔



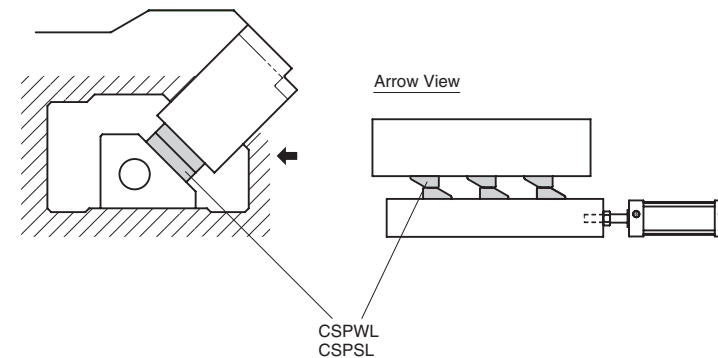
Material : Bronze with Graphite (SO#50 SP2)

Material : SK5  
Area to be Induction Hardened (Hatched Area)  
Hardness : HRC58~62

W <sub>1</sub>	W <sub>2</sub>	Mounting Bolt		Catalog No.	W	L	θ
		Size	Quantity				
60	—	M12×40	2	CSPWL	100	75	25
110	—			CSPSL	150		30

Order **Catalog No.** **W** **L** **θ**  
CSPWL 100 - 75 - 25

**EX** Example



Cam Slide Components