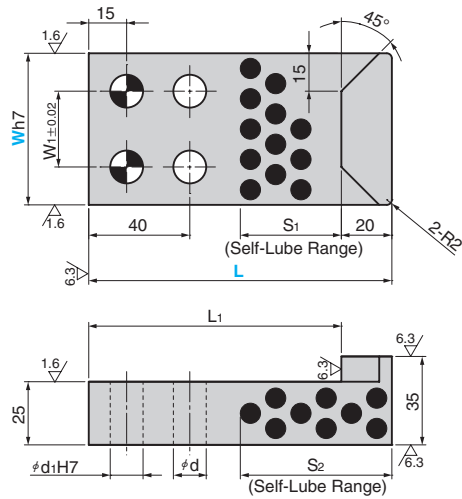


# Cam Pad Guide Plate

TRAVEL END TYPE

CAD FILE

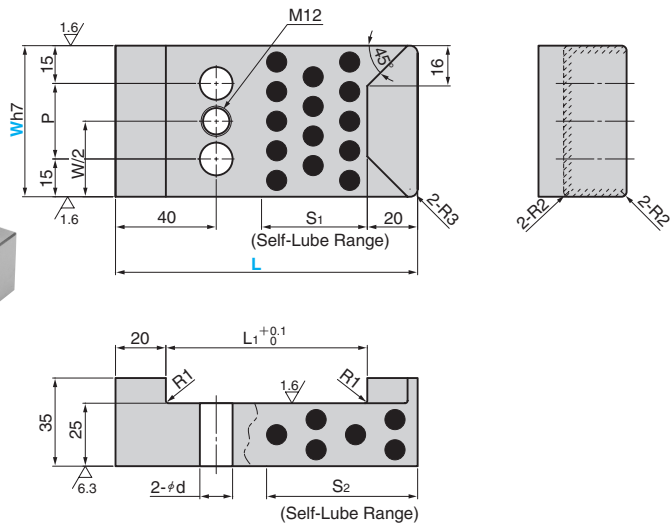
CPGPC



● Sliding Direction  
↔

Material : Bronze with Graphite (SO#50 SP2)

CPGPD



● Sliding Direction  
↔

Material : Bronze with Graphite (SO#50 SP2)

L1	S1	S2	W1	d	d1	Catalog No.	W h7	L
120	60	80				CPGPC	60	140
140	80	100	30	13	13		$0$ $-0.030$	160
120	60	80				CPGPC	100	140
140	80	100	70	18	16		$0$ $-0.035$	160

Order **Catalog No.** **W** - **L**  
CPGPC 60 - 140

L1	S1	S2	P	d	Bolt in use	Catalog No.	W h7	L
80	40	60				CPGPD	60	120
100	60	80	30	13	M12×50		$0$ $-0.030$	140
120	80	100					160	
100	60	80				CPGPD	100	140
120	80	100	70	18	M16×55		$0$ $-0.035$	160

Order **Catalog No.** **W** - **L**  
CPGPD 60 - 120

EX Example

