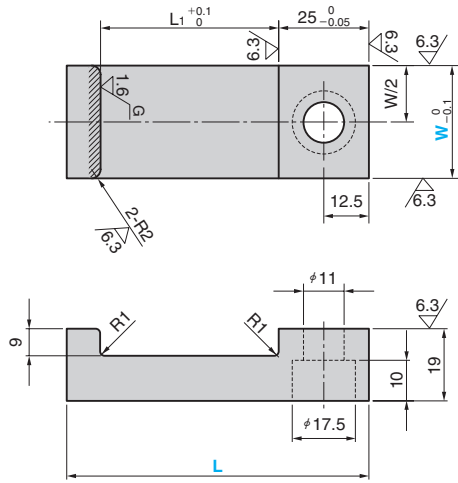


# Cam Positive Return Follower

FOR SMALL CAM UNIT

CAD  
FILE

CPRFH

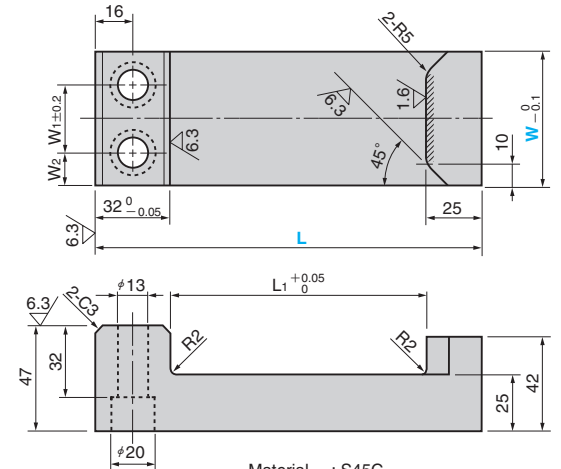
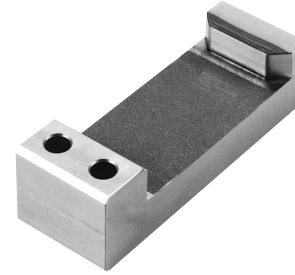


Material : S45C  
Hardness : HRC50 to 60  
Area to be Induction Hardened  
(Hatched Area)

L1	Catalog No.	W	L
32.4	CPRFH	30	67.5
42.4		35	77.5

Order   -

CPRF



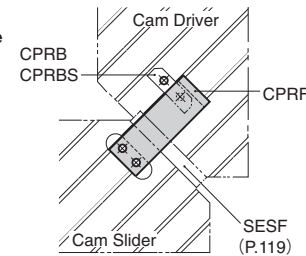
Material : S45C  
Hardness : HRC55 or more  
Area to be Induction Hardened  
(Hatched Area)

L1	W1	W2	Catalog No.	W	L
114	30	15	CPRF	60	171
134					191
114	40	20		80	171
134					191

Order   -

EX

Example








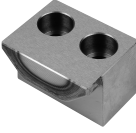


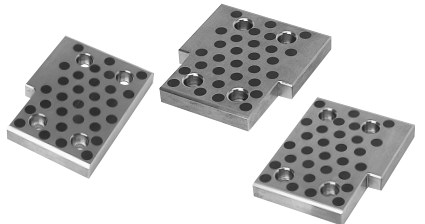


■ We are ready to accept requests or orders for special parts.

■ We are ready to accept requests or orders for special parts.

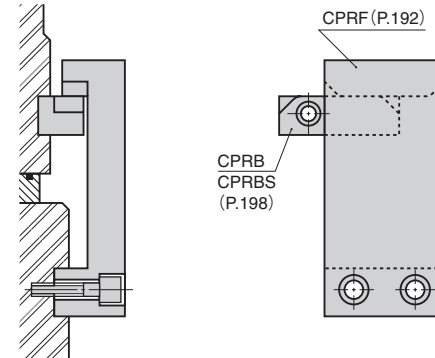
# Cam Positive Return Components

## OUTLINE OF CAM POSITIVE RETURN COMPONENTS

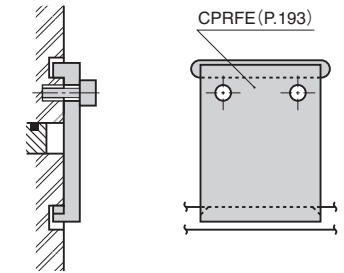
			
CPRFH P.191 Width 30 and 35 S45C	CPRF P.192 Width 60 and 80 S45C	CPRFE P.193 Width 30 and 50 S45C	CPRFF P.194 Width 60 SK5
			
CKPZ P.195 Width 60 Bronze	CKPL P.195 Width 60 and 80 Bronze	CKPLS P.195 Width 60 and 80 S45C	CPRKW P.197 Width 48 Bronze
			
CPRKS P.197 Width 48 SS400	CPRKK P.197 Width 48 S45C	CPRB P.198 Width 25 and 32 Bronze	CPRBS P.198 Width 25 and 32 Bronze
			
CPRP P.199 Width 75,100,125,150 Bronze	CPRX P.201 Width 75,100,125 Sintered		

### Example of Combinations

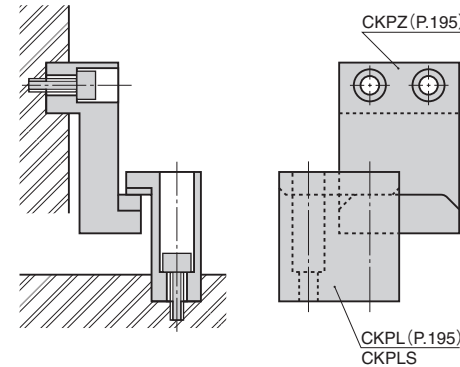
#### ● CPRF and CPRB



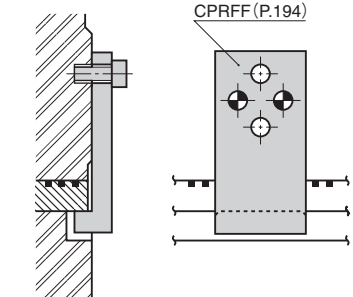
#### ● Example of CPRFE



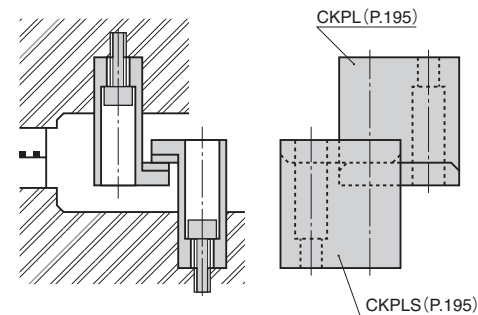
#### ● CKPZ and CKPL



#### ● Example of CPRFF



#### ● CKPL and CKPLS



#### ● CPRPR and CPRKW

