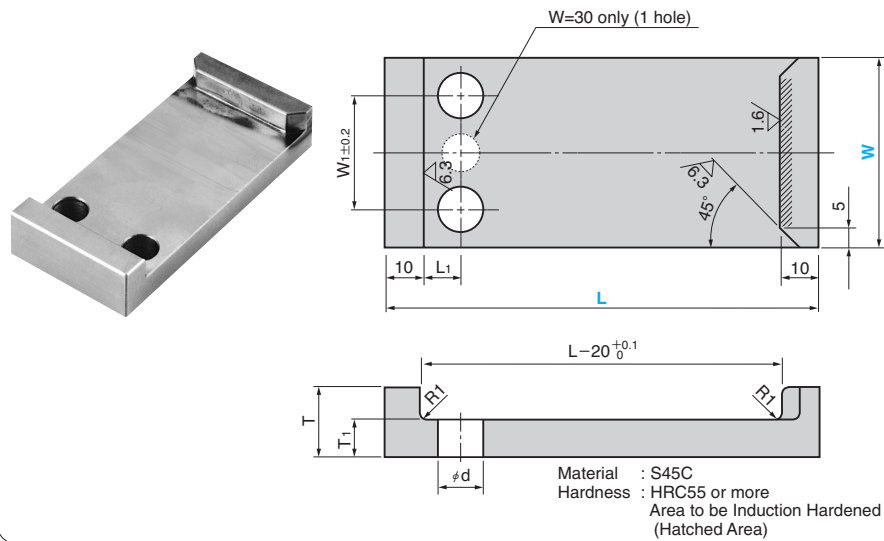


# Cam Positive Return Follower

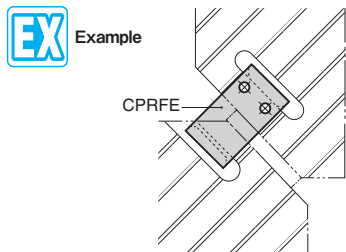
FOR DIVIDED DRIVER (INLAY TYPE)

CAD  
FILE

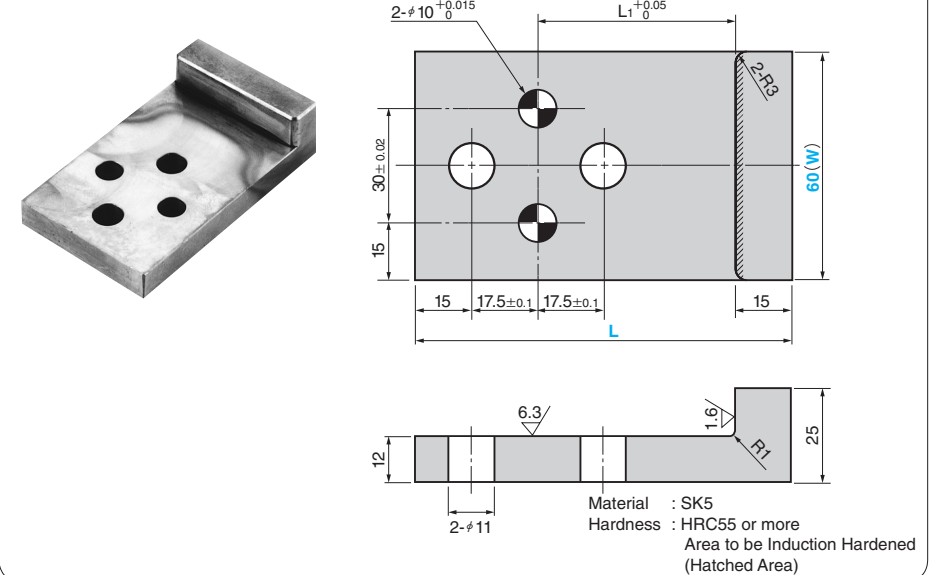
CPRFE



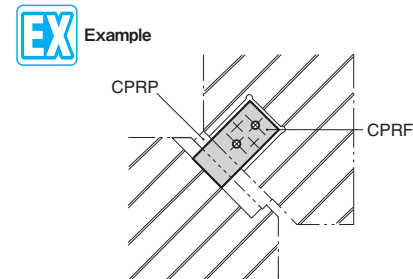
W <sub>1</sub>	L <sub>1</sub>	d	T	T <sub>1</sub>	No. of Bolt Holes	Catalog No.	W	L
—	7.5	10 (For M8)	16	8	1	CPRFE	30	55
							75	
30	10	12 (For M10)	18	10	2		50	85
								105



CPRFF



L <sub>1</sub>	Catalog No.	(W)	L
52.5	CPRFF	60	100
72.5		60	120



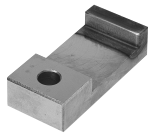







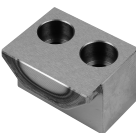


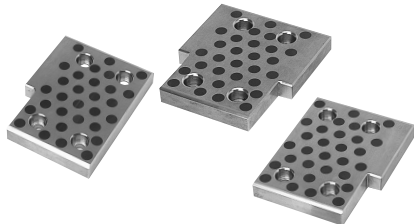
Cam Slide  
Components

■ We are ready to accept requests or orders for special parts.

■ We are ready to accept requests or orders for special parts.

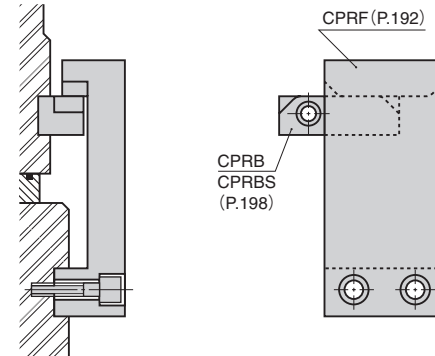
# Cam Positive Return Components

## OUTLINE OF CAM POSITIVE RETURN COMPONENTS

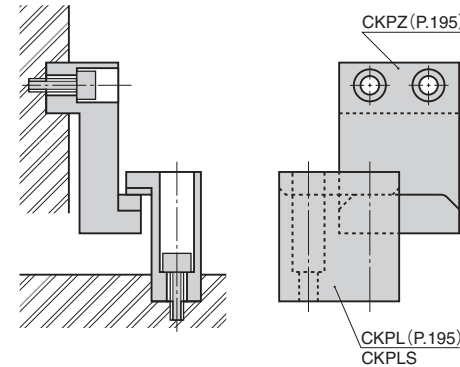
			
CPRFH P.191 Width 30 and 35 S45C	CPRF P.192 Width 60 and 80 S45C	CPRFE P.193 Width 30 and 50 S45C	CPRFF P.194 Width 60 SK5
			
CKPZ P.195 Width 60 Bronze	CKPL P.195 Width 60 and 80 Bronze	CKPLS P.195 Width 60 and 80 S45C	CPRKW P.197 Width 48 Bronze
			
CPRKS P.197 Width 48 SS400	CPRKK P.197 Width 48 S45C	CPRB P.198 Width 25 and 32 Bronze	CPRBS P.198 Width 25 and 32 Bronze
			
CPRP P.199 Width 75,100,125,150 Bronze	CPRX P.201 Width 75,100,125 Sintered		

### Example of Combinations

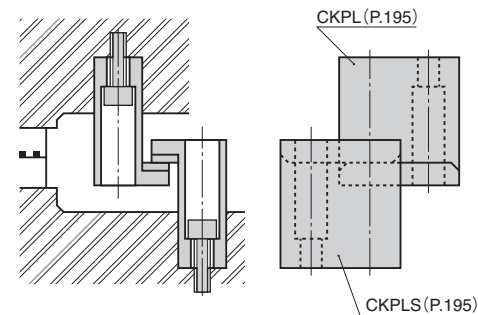
#### ● CPRF and CPRB



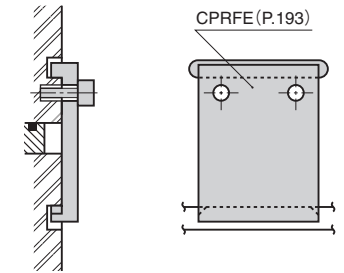
#### ● CKPZ and CKPL



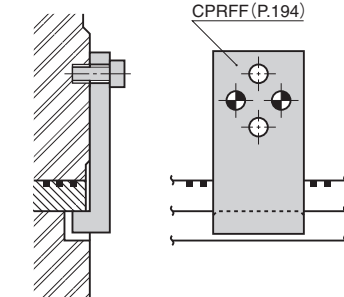
#### ● CKPL and CKPLS



#### ● Example of CPRFE



#### ● Example of CPRFF



#### ● CPRPR and CPRKW

