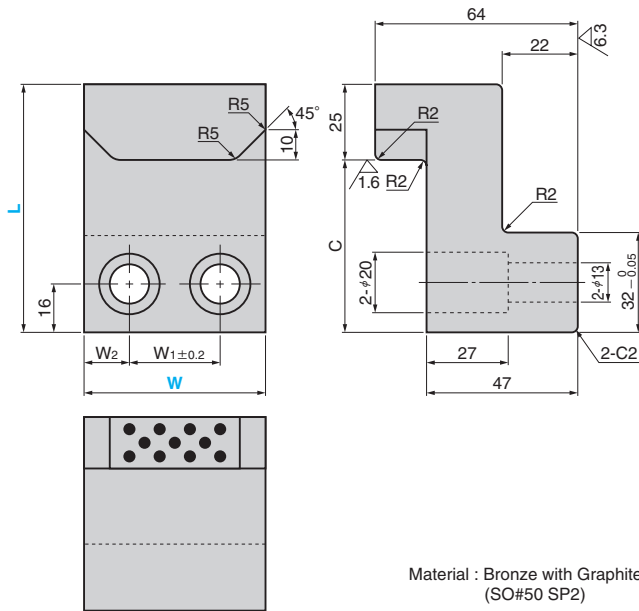


# Cam Positive Return Follower

FOLLOWER AND DRIVER SET TYPE

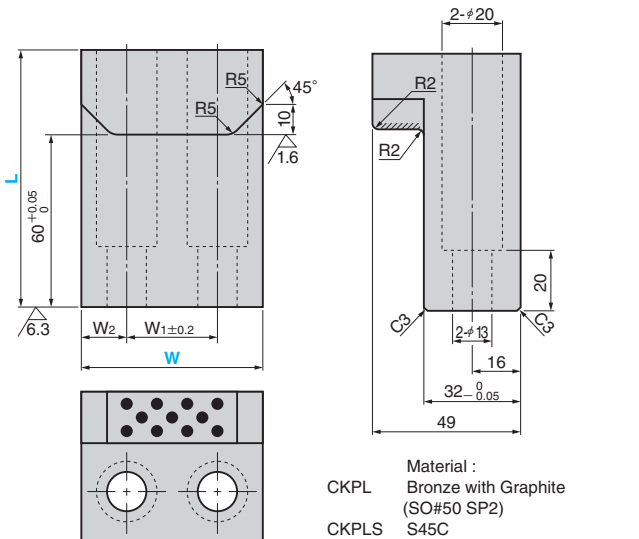
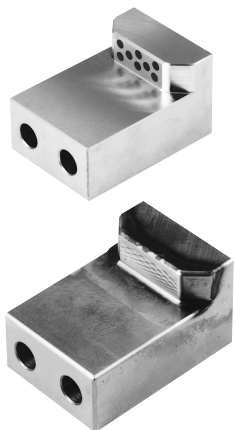
CAD FILE

CKPZ



Material : Bronze with Graphite (SO#50 SP2)

CKPL (Bronze with Graphite Type)  
CKPLS (Steel Type)



Material :  
CKPL : Bronze with Graphite (SO#50 SP2)  
CKPLS : S45C  
Hardness : HRC55 or more  
Area to be Induction Hardened (Hatched Area)

\* Figure shows CKPL.

W <sub>1</sub>	W <sub>2</sub>	C	Catalog No.	W	L
		57			82
30	15	77	CKPZ	60	102
		87			112

Order 

Catalog No.	W	-	L
CKPZ	60	-	82

W <sub>1</sub>	W <sub>2</sub>	Catalog No.	W	L
30	15	CKPL	60	
40	20	CKPLS	80	85

Order 

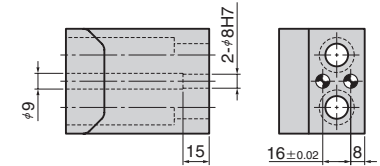
Catalog No.	W	-	L
CKPL	80	-	85

Option	Option Code	Specification
	N	Dowel pin holes are drilled on CKPL and CKPLS.

Order 

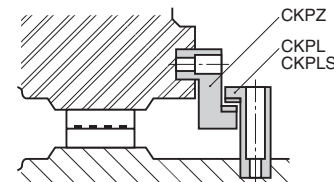
CKPL	60 - 85 - N
------	-------------

### ■ Dowel Pin Hole Specification

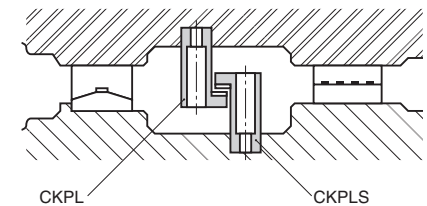


### EX Example

● Mounting outward from Cam Slider



● Mounting inward from Cam Slider (bottom)








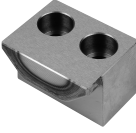


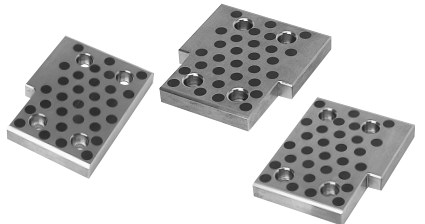


\* Select the CKPZ and CKPL size according to each height for one Slide Plate or the V Guide Type Cam Slide Guide.

■ We are ready to accept requests or orders for special parts.

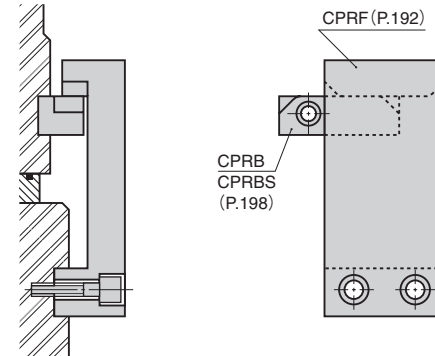
# Cam Positive Return Components

## OUTLINE OF CAM POSITIVE RETURN COMPONENTS

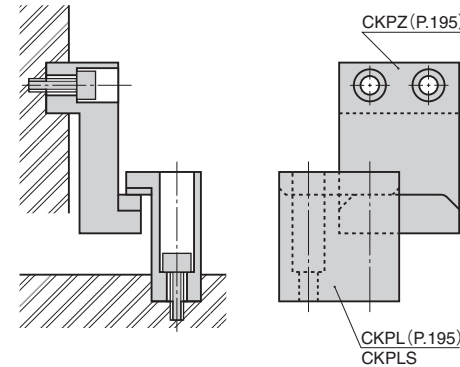
			
CPRFH P.191 Width 30 and 35 S45C	CPRF P.192 Width 60 and 80 S45C	CPRFE P.193 Width 30 and 50 S45C	CPRFF P.194 Width 60 SK5
			
CKPZ P.195 Width 60 Bronze	CKPL P.195 Width 60 and 80 Bronze	CKPLS P.195 Width 60 and 80 S45C	CPRKW P.197 Width 48 Bronze
			
CPRKS P.197 Width 48 SS400	CPRKK P.197 Width 48 S45C	CPRB P.198 Width 25 and 32 Bronze	CPRBS P.198 Width 25 and 32 Bronze
			
CPRP P.199 Width 75,100,125,150 Bronze	CPRX P.201 Width 75,100,125 Sintered		

### Example of Combinations

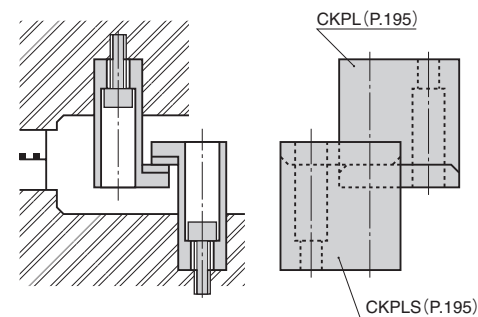
#### ● CPRF and CPRB



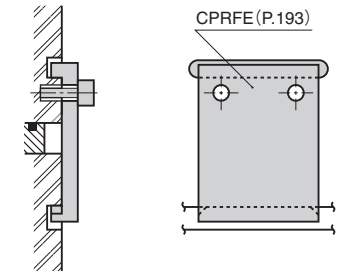
#### ● CKPZ and CKPL



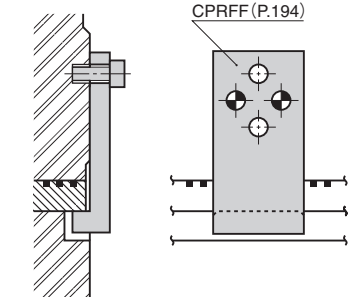
#### ● CKPL and CKPLS



#### ● Example of CPRFE



#### ● Example of CPRFF



#### ● CPRPR and CPRKW

