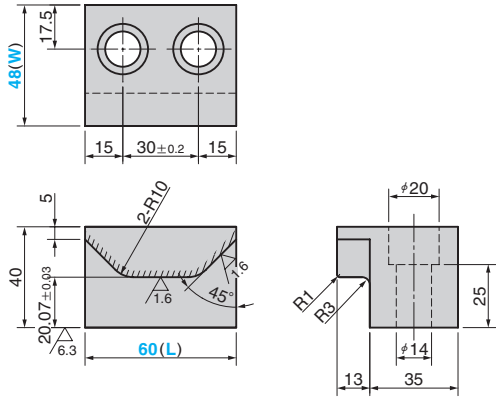
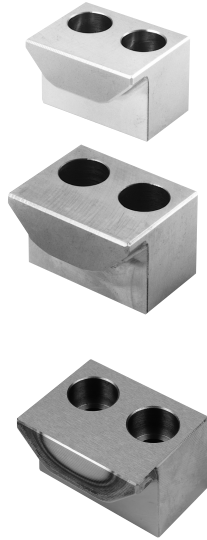


Cam Positive Return Follower

FOR EMBEDDED DRIVER PLATE AND CAM DRIVER

CAD
FILE

CPRKW (Bronze Type)
CPRKS (SS400 Type)
CPRKK (S45C Type)



Material :
CPRKW Bronze (SO-2)
CPRKS SS400
CPRKK S45C Area to be Induction Hardened (Hatched Area) HRC55 or more

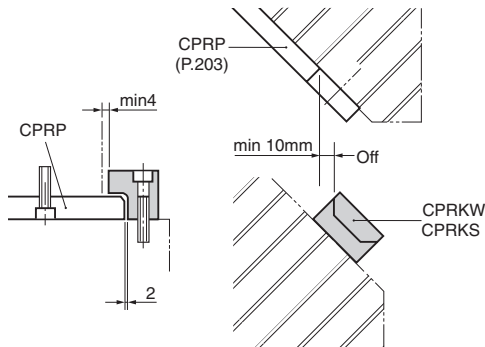
■ We are ready to accept requests or orders for special parts.

Catalog No.	(W)	(L)
CPRKW CPRKS CPRKK	48	60

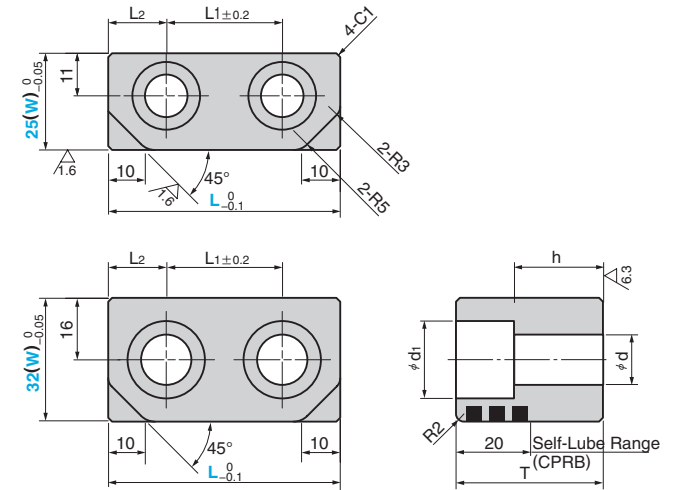
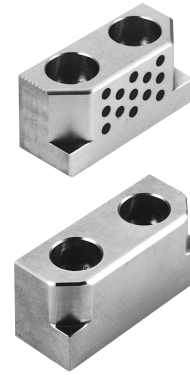
Order

Catalog No.	(W)	(L)
CPRKK	48	60

EX Example



CPRB (Bronze with Graphite Type)
CPRBS (Bronze Type)



● Sliding Direction
↔

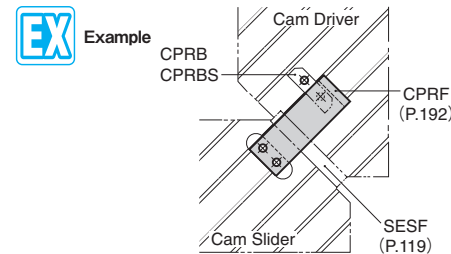
*This figure shows CPRB.
CPRBS is without Graphite Type.

Material :
CPRB Bronze with Graphite (SO#50 SP2)
CPRBS Bronze (SO-2)

T	L ₁	L ₂	d	d ₁	h	Catalog No.	W	L
30	30	15	11	17.5	18	CPRB	25	60
38	40	20	13	20	23	CPRBS	32	60
								80

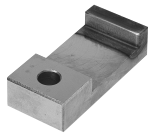







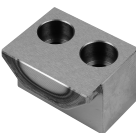


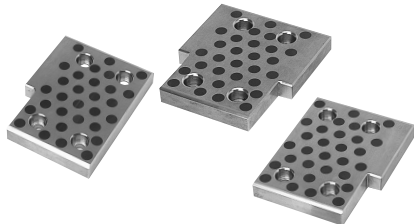
Order

Catalog No.	W	L
CPRB	32	80



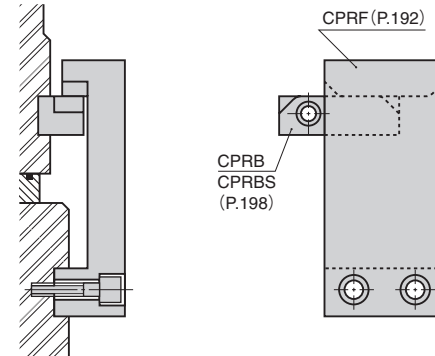
Cam Positive Return Components

OUTLINE OF CAM POSITIVE RETURN COMPONENTS

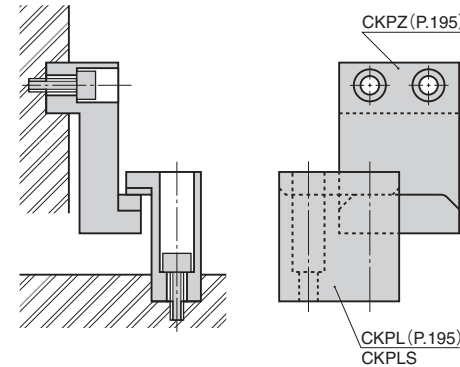
			
CPRFH P.191 Width 30 and 35 S45C	CPRF P.192 Width 60 and 80 S45C	CPRFE P.193 Width 30 and 50 S45C	CPRFF P.194 Width 60 SK5
			
CKPZ P.195 Width 60 Bronze	CKPL P.195 Width 60 and 80 Bronze	CKPLS P.195 Width 60 and 80 S45C	CPRKW P.197 Width 48 Bronze
			
CPRKS P.197 Width 48 SS400	CPRKK P.197 Width 48 S45C	CPRB P.198 Width 25 and 32 Bronze	CPRBS P.198 Width 25 and 32 Bronze
			
CPRP P.199 Width 75,100,125,150 Bronze	CPRX P.201 Width 75,100,125 Sintered		

Example of Combinations

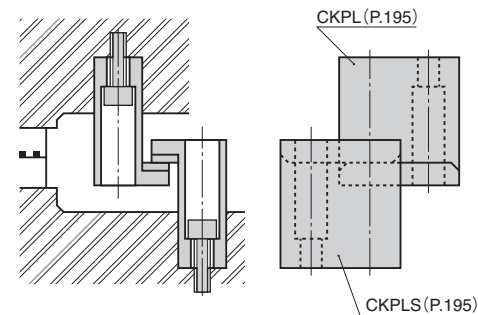
● CPRF and CPRB



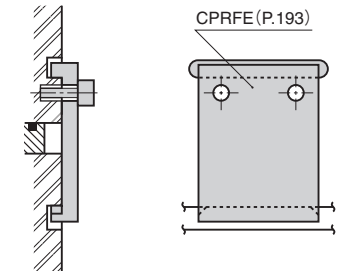
● CKPZ and CKPL



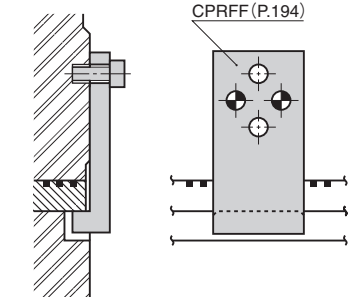
● CKPL and CKPLS



● Example of CPRFE



● Example of CPRFF



● CPRPR and CPRKW

