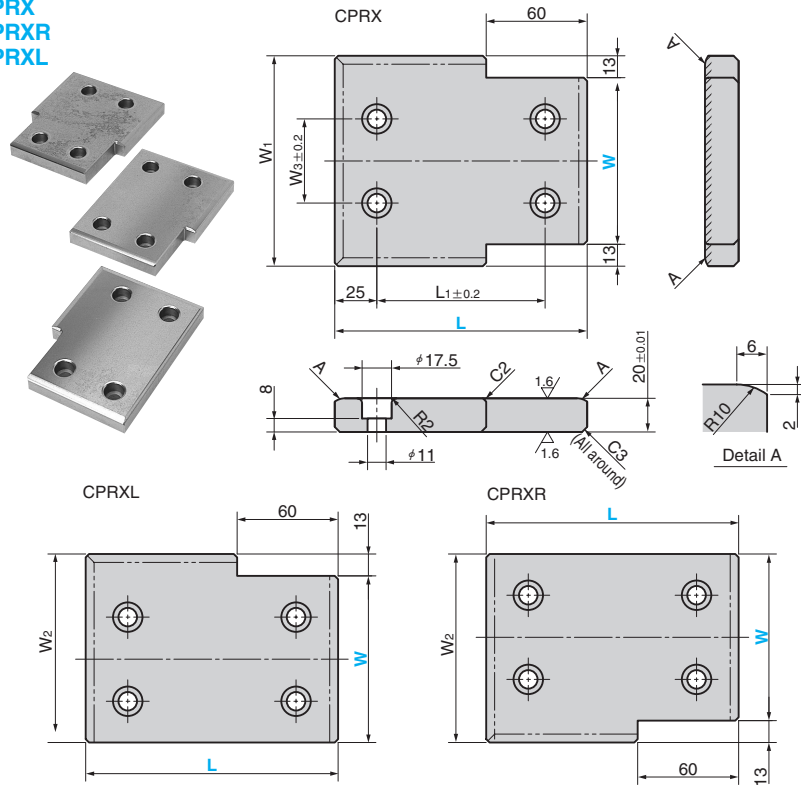


Cam Positive Return Plate

SINTERED TYPE

CAD FILE

CPRX
CPRXR
CPRXL



● Sliding Direction
Material : Copper Powder Sintered (SO#220)
Hatched Area Sintered
Thickness 1.2 mm or more
SS400(base plate)



W (Actual Size)	W ₁	W ₂	W ₃	L ₁	Catalog No.	W (Nominal)	L
74	100	87	40	50	CPRX CPRXR CPRXL	75	100
				75			125
				100			150
				150			200
				200			250
99	125	112	50	100		100	150
				150			200
				200			250
124	150	137	90	100		125	150
				150			200

L = 250 is made to order.



Order

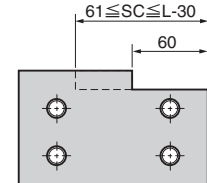
Catalog No.	W	—	L
CPRX	75	—	200



Option

Option Code	Specification
SC	The notch length is changed. Specify the length after the SC code. Increments of 1 mm. $61 \leq SC \leq L - 30$

• SC specification drawing

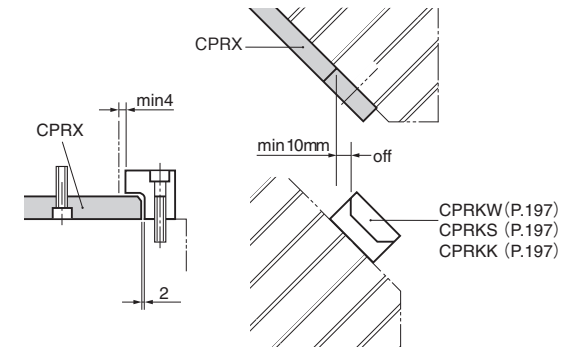


Order

CPRX75-200-SC100
CPRXL75-200-SC80








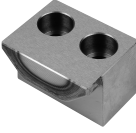


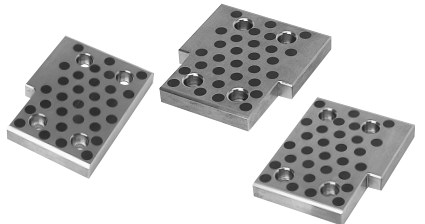


Example



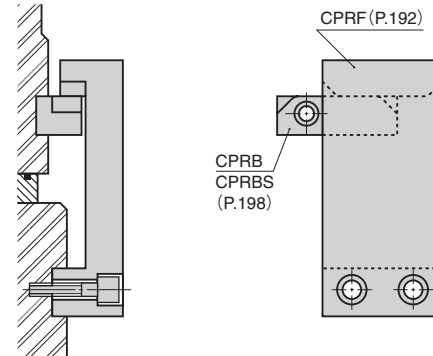
Cam Positive Return Components

OUTLINE OF CAM POSITIVE RETURN COMPONENTS

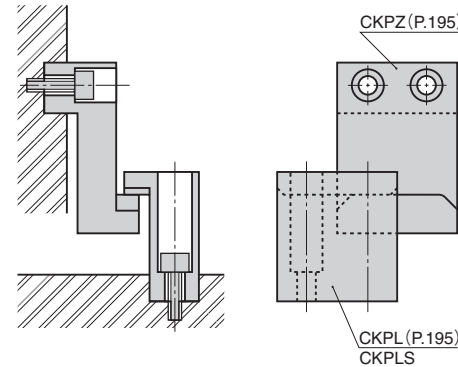
			
CPRFH P.191 Width 30 and 35 S45C	CPRF P.192 Width 60 and 80 S45C	CPRFE P.193 Width 30 and 50 S45C	CPRFF P.194 Width 60 SK5
			
CKPZ P.195 Width 60 Bronze	CKPL P.195 Width 60 and 80 Bronze	CKPLS P.195 Width 60 and 80 S45C	CPRKW P.197 Width 48 Bronze
			
CPRKS P.197 Width 48 SS400	CPRKK P.197 Width 48 S45C	CPRB P.198 Width 25 and 32 Bronze	CPRBS P.198 Width 25 and 32 Bronze
			
CPRP P.199 Width 75,100,125,150 Bronze	CPRX P.201 Width 75,100,125 Sintered		

Example of Combinations

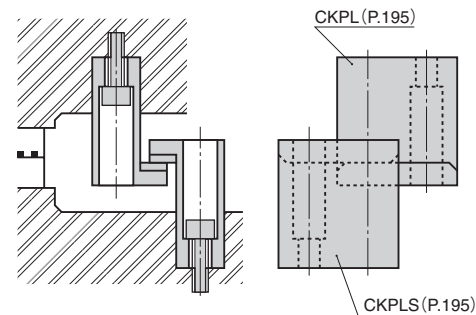
● CPRF and CPRB



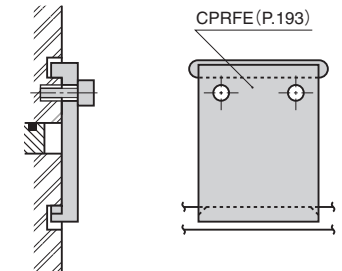
● CKPZ and CKPL



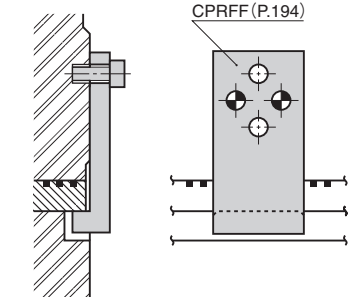
● CKPL and CKPLS



● Example of CPRFE



● Example of CPRFF



● CPRPR and CPRKW

