

DA Gauge

ECONOMY SWIVEL TYPE

CAD
FILE

KRGK

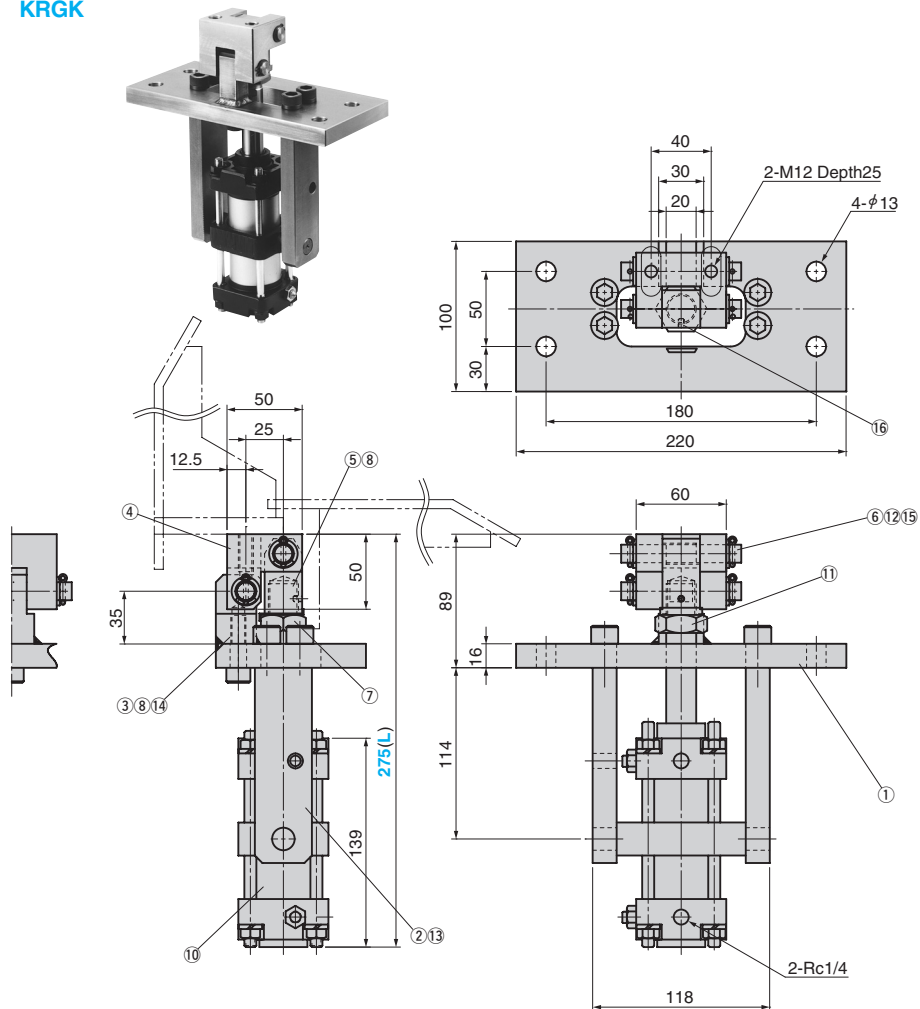


Table of Components

| No. | Description | Qty | Material and Remark |
|-----|----------------------|-----|---------------------|
| ① | Base Plate | 1 | SS400 |
| ② | Cylinder Support | 2 | SS400 |
| ③ | Gauge Bracket Suport | 1 | SS400 |
| ④ | Gauge Bracket | 1 | SS400 |
| ⑤ | Joint | 1 | SS400 |
| ⑥ | Joint Pin | 2 | S45C HRC55~60 |
| ⑦ | Turning Lock Plate | 1 | SPCC T=0.8 |
| ⑧ | Bushing | 2 | Drystar LBM1220 |


| No. | Description | Qty | Material and Remark |
|-----|-----------------------------|-----|---------------------|
| ⑩ | Air Cylinder | 1 | CA2T40-50 (SMC) |
| ⑪ | Hexagon Nut | 1 | M20×15 |
| ⑫ | Cotter pin | 4 | 3×18 |
| ⑬ | Hexagon Socket Head Bolt | 4 | SCM435 M12×40 |
| ⑭ | Hexagon Socket Head Bolt | 1 | SCM435 M10×35 |
| ⑮ | Washer | 4 | For φ12 |
| ⑯ | Hexagonal Socket Head Screw | 1 | M4×6 |

| Catalog No. | L |
|-------------|-----|
| KRGK | 275 |



Order

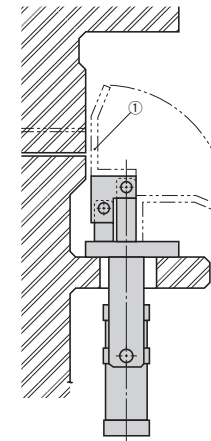
| Catalog No. | L |
|-------------|-----|
| KRGK | 275 |


 KRGK is made to order.

For Operation

- The Gauge (Fig.①) are not accompanied.

Assembly Structure



 This is compatible with the mounting position of old standard part KRGD. The gauge bracket structure was reinforced stronger than the old standard part.