

Panel Stabilizer Pin

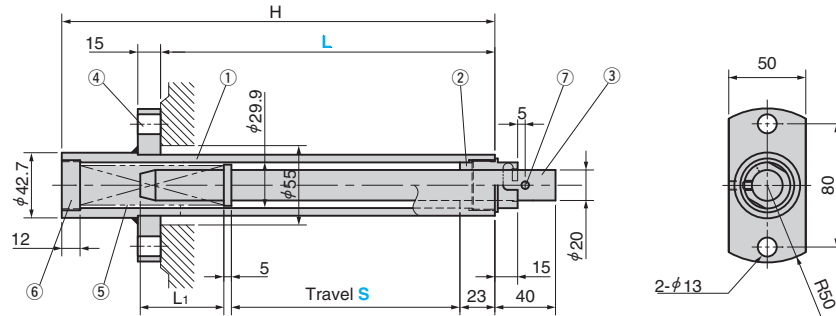
SPRING LOCK TYPE

CAD FILE

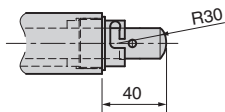
- PSPLN (Stabilizer Pin Steel Type - Without machining)
- PSPLS (Stabilizer Pin Steel Type - Spherical machining)
- PSPLV (Vacuum Type)



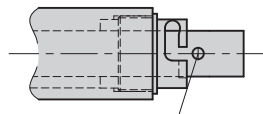
PSPLN
(Stabilizer pin steel type - without machining)



PSPLS
(Stabilizer pin steel type - with spherical machining)

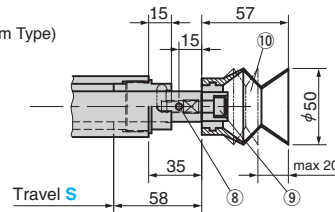


PSPLN
(Enlarged view of end lock)



Spring Pin with protrusion of 5 mm

PSPLV
(Vacuum Type)



Free Length	⑤ Spring N(kgf)		H	L ₁	Catalog No.	Travel S	L Increments of 1mm
	Initial Load	Final Load					
115	3.9(0.4)	44.1(4.5)	150	40	PSPLN PSPLS PSPLV	50	0~130
175	2.0(0.2)	52.0(5.3)	210	40		100	0~190
250	1.5(0.15)	53.9(5.5)	285	55		150	0~265
320	1.5(0.15)	55.9(5.7)	355	85		200	0~335
375	0.0(0.0)	57.9(5.9)	415	100		250	0~395



Order

Catalog No.	S	-	L
PSPLV	100	-	150

■ Table of Components

No.	Description	Qty	Material and Remark	No.	Description	Qty	Material and Remark
①	Holder	1	STKM13 φ42.7×6.4 t	⑥	Screw Plug	1	M33×12
②	Guide Bushing	1	Bronze(SO-2) φ35×38	⑦	Spring Pin	1	φ5×25
③	Advance Pin	1	S45C HRC20~30	⑧	Hexagon Socket Screw Set	1	M5×10
④	Flange	1	SS400 φ100×15	⑨	Hexagon Socket Head Bolt	1	M8×30
⑤	Spring	1	SWPA φ28×2	⑩	Vacuum Cup	1	Oilproof Rubber

Panel Transfer Components