

Panel Stabilizer Pin

COMPACT TYPE

CAD
FILE

- SSPU (Low Load Long Travel)
- SSPS (High Load Short Travel)
- SSPR (High Load Long Travel)

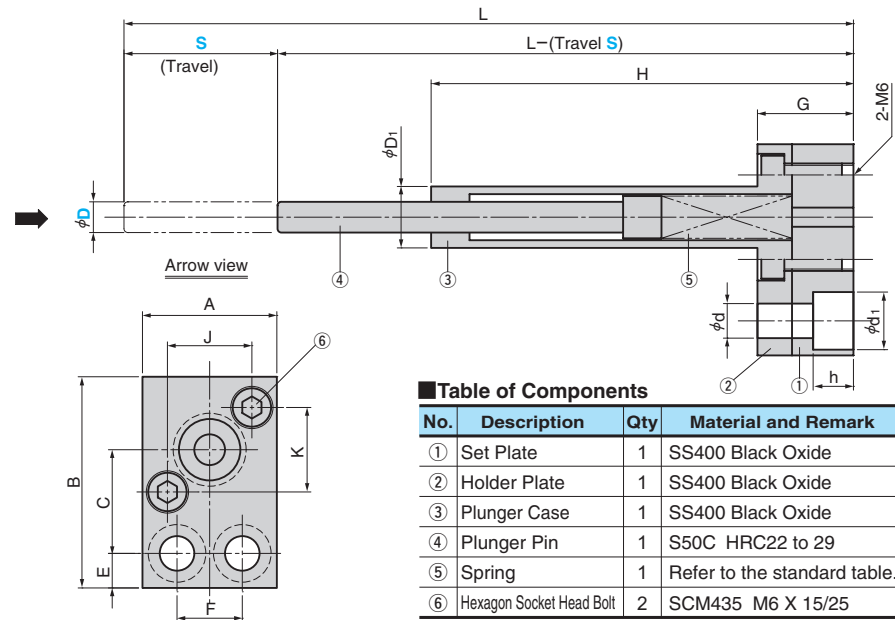


Table of Components

No.	Description	Qty	Material and Remark
①	Set Plate	1	SS400 Black Oxide
②	Holder Plate	1	SS400 Black Oxide
③	Plunger Case	1	SS400 Black Oxide
④	Plunger Pin	1	S50C HRC22 to 29
⑤	Spring	1	Refer to the standard table.
⑥	Hexagon Socket Head Bolt	2	SCM435 M6 X 15/25

Catalog No.	D	D ₁	L	H	G	d	d ₁	h	A	B	C	E	F	J	K
SSPU	8	16	190	110		9	15		35	55	27	9	17	22	22
	12	20	205	120	25	12	18	10.5	40	60	30	10	20	28	28
	16	26	255	155											
SSPS		35	294	194					55				30	41	
SSPU	20		375	225	35	14	20	12.5		82	40	12			46
SSPR		40	430	275					60				35	46	

D	Tolerance	Load N		Spring for Use	Fastening Bolt	Catalog No.	D	S
		min	max					
8	-0.01 -0.04	7.4	66.7	SWU10.5-80	M8×30	SSPU	8	40
12		9.3	93.2	SWU14.5-90	M10×30		12	45
16	50.0	150.0	SWU17-150				16	60
20	-0.016 -0.043	56.9	532.5	SWS26-150		SSPS		50
		49.0	294.2	SWU26-200	M12×50	SSPU	20	100
		78.5	490.3	SWR31-250		SSPR		105



Order

Catalog No.	D	-	S
SSPU	16	-	60

For operation

- The pin can be used as a preliminary holding knock-out for drawing and bending.
- The pin can be used to prevent sticking in the draw or bend die or used as a lifter.
- The pin can be used to stabilize the blank sheet or to prevent to assist vacuum cup if it does not release error (prevention of irregular action) with a vacuum cup.

Used for knock-out of Panel.

