

H-Type Lifter

FLAT UPPER SURFACE TYPE

CAD
FILE

HLSGF

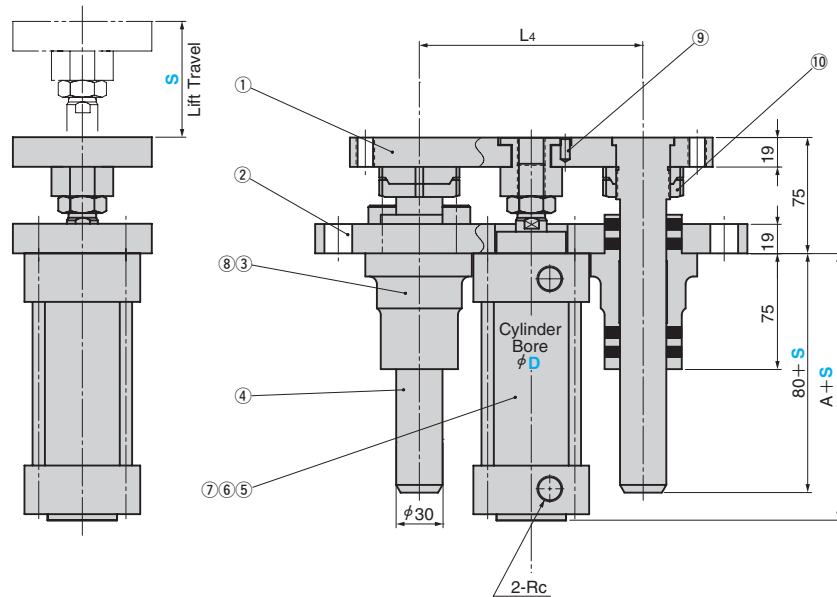
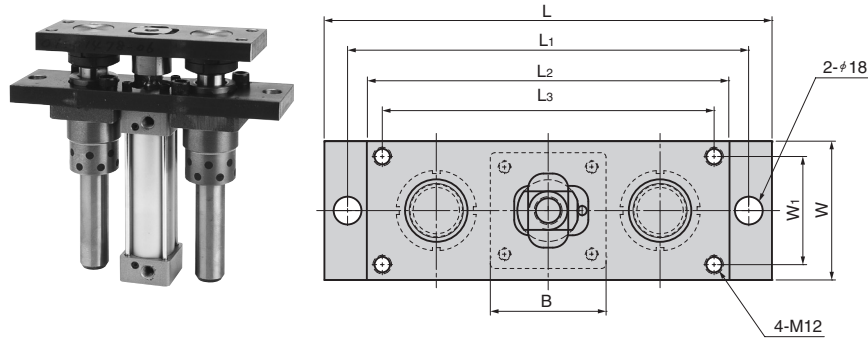


Table of Components

No.	Description	Qty	Material and Remark	No.	Description	Qty	Material and Remark
①	Lifter Plate	1	SS400	⑥	Joint	1	S45C
②	Cylinder Holder Plate	1	SS400	⑦	Hexagon Socket Head Bolt	4	M6×35(for D=40) M8×35(for D=63)
③	Guide Holder	2	FC250 with Graphite	⑧	Hexagon Socket Head Bolt	4	M12×35
④	Guide Pin	2	S45C HRC55~60	⑨	Spring Pin	1	φ6×12
⑤	Air Cylinder	1	MB40 (for D=40) by SMC MB63 (for D=63) by SMC	⑩	Hard Lock Nut	2	M35

A	B	Rc	L	L1	L2	L3	L4	W	W1	Catalog No.	Cylinder Bore D	Travel S
												50
												75
88	52	1/4	270	240	215	190	120	75	45		40	100
												125
												150
												175
										HLSGF		50
												75
												100
												125
												150
98	75	3/8	290	260	235	215	145	90	70		63	175
												200
												225
												250
												275
												300

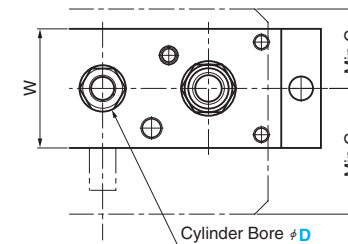


Order

Catalog No.	D	-	S
HLSGF	40	-	100

For Operation

Refer to the dimension of the casting hole below for installation.



- Cylinder actual output
Air pressure: 0.5MPa
φ40 : Approx. $600 \times 0.7 = 420\text{N}$
φ63 : Approx. $1,500 \times 0.7 = 1,050\text{N}$

- If you want to use other cylinder type (different cylinder manufacturer), please contact our sales representative.

D	W	C1	C2
40	75	50	85
63	90	60	95