

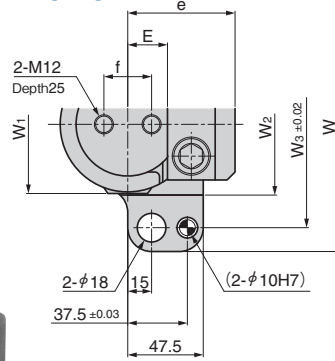
Sub Lifter

FLANGE MOUNTING TYPE

CAD
FILE



SBLS



SBLSN

(With dowel holes for slide pins)

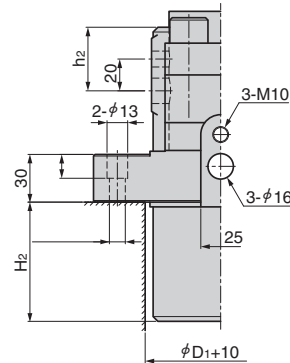
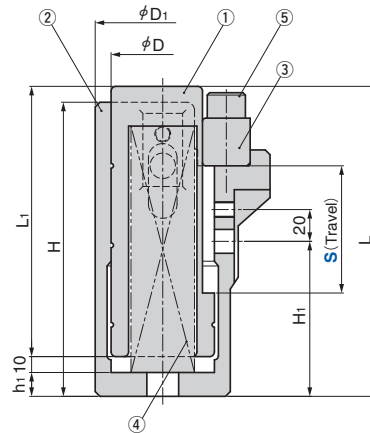
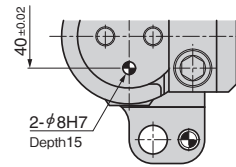


Table of Components

No.	Description	Qty	Material and Remarks
①	Slide Pin	1	FCD450
②	Casing	1	FC250
③	Stopper	1	FC250 with Graphite
④	Spring	1	Refer to spring specifications
⑤	Hexagon Socket Head Bolt	2	M16 x 60

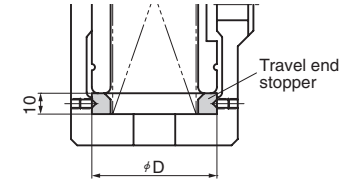
Catalog No.	S	D	D ₁	L	L ₁	H	H ₁	H ₂	h ₁	h ₂
SBLS SBLSN	60	60	80	160	135	150	67.5	55	15	40
	80	65	85	195	170	185	97.5	75		
	120	75	95	250	220	240	122.5	95	20	45

Catalog No.	S	E	e	f	W	W ₁	W ₂	W ₃
SBLS SBLSN	60	25	65	30	155	82	84	125
	80				160	87	89	130
	120	30	70	40	170	97	99	140



Option

Option Code	Specification
D	A travel end stopper is included.



Order

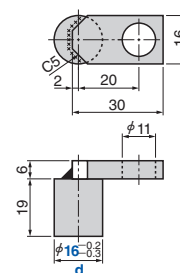
Catalog No.	S	Option
SBLS	120	
SBLSN	80	D

Spring specification

Catalog No.	S	Model	Initial		Final	
			Length (mm)	Load (N)	Length (mm)	Load (N)
SBLS SBLSN	60	TF40-200	175	320	115	1088
	80	D340-250	235	300	155	1900
	120	TF50-350	320	342	200	1710

Locking Pin

SBLP16



Material
SS400

Catalog No.	d
SBLP	16



Order

Catalog No.	d
SBLP	16