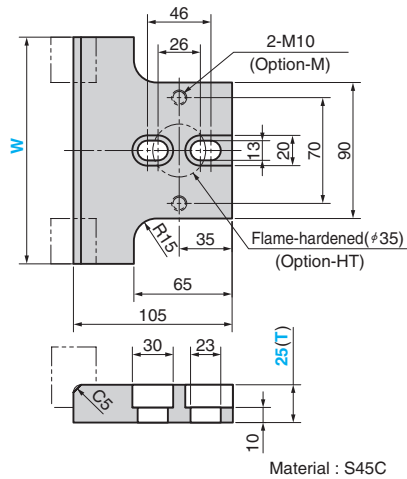


Lift Plate, Lift Gauge and Stabilizer Pin

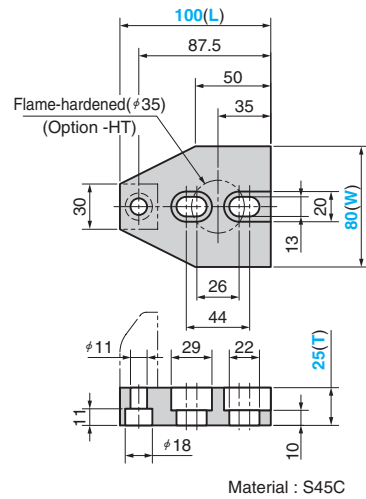
FOR SUB LIFTER

CAD
FILE

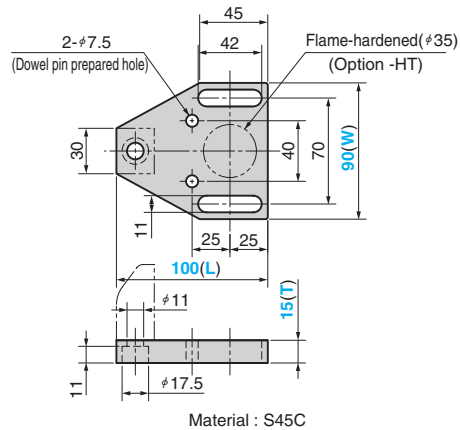
LFTPA



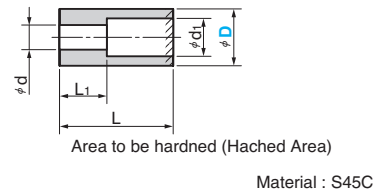
LFTG



LFTGA



FLPPA



Lift Plate LFTPA

Catalog No.	W	T
LFTPA	90~150 (in increments of 10 mm)	25

Order

Catalog No.	W	T
LFTPA	110	25

▲ LFTPA, LFTG and LFTGA are the parts made to order.

Gauge Plate LFTG·LFTGA

Catalog No.	W	L	T
LFTG	80	100	25
LFTGA	90	100	15

Order

Catalog No.	W	L	T
LFTG	80	100	25
LFTGA	90	100	15

Option

Option Code	Specification
M	Tapped holes (2-M10) for the gauge plate are provided on lift plate LFTPA.
HT	The preliminary pin contact area is flame hardened. (Range φ35)

*Refer to the page on the left for detailed specifications.

Order

LFTPA	120-25-M
LFTG	80-100-25-HT

Advance Pin FLPPA

d	d1	L1	Catalog No.	D	L at increments of 10 mm	Recommended Bolt
9	14	20	FLPPA	25	40~60	M8×35
		40			70~100	M8×55
		25			50·60	M12×50
13	20	45	FLPPA	30	70~100	M12×70
		45			110~150	M12×90
		65				

Order

Catalog No.	D	L
FLPPA	30	100

EX Example

