

# Flange Lifter

SELF-LUBE BASE MOUNTING TYPE

CAD  
FILE

SOFLV50

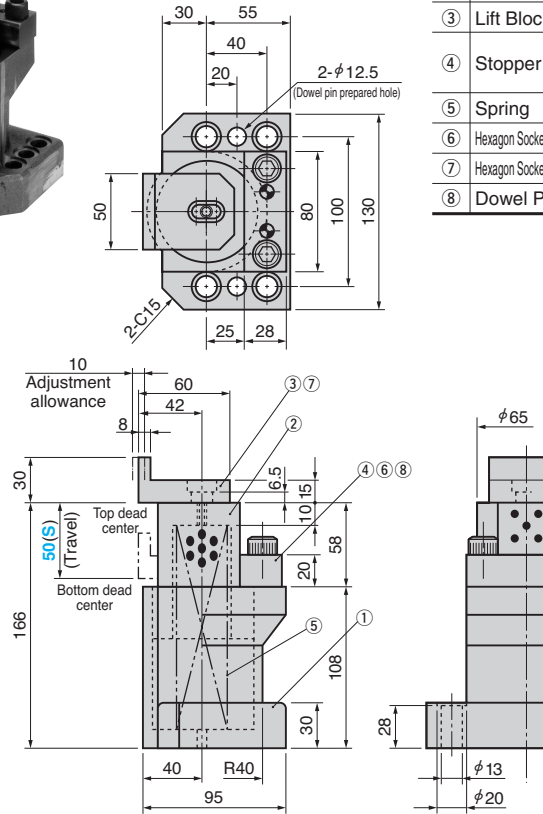


Table of Components

No.	Description	Qty	Material and Remark
①	Casing	1	FC250
②	Slide Pin	1	S20C with Graphite
③	Lift Block	1	SK3
④	Stopper	1	SK3 Hardness HRC40 to 45
⑤	Spring	1	TF35-150
⑥	Hexagon Socket Head Bolt	2	M12×40
⑦	Hexagon Socket Head Bolt	1	M8×20
⑧	Dowel Pin	2	φ8×30

SOFLV80

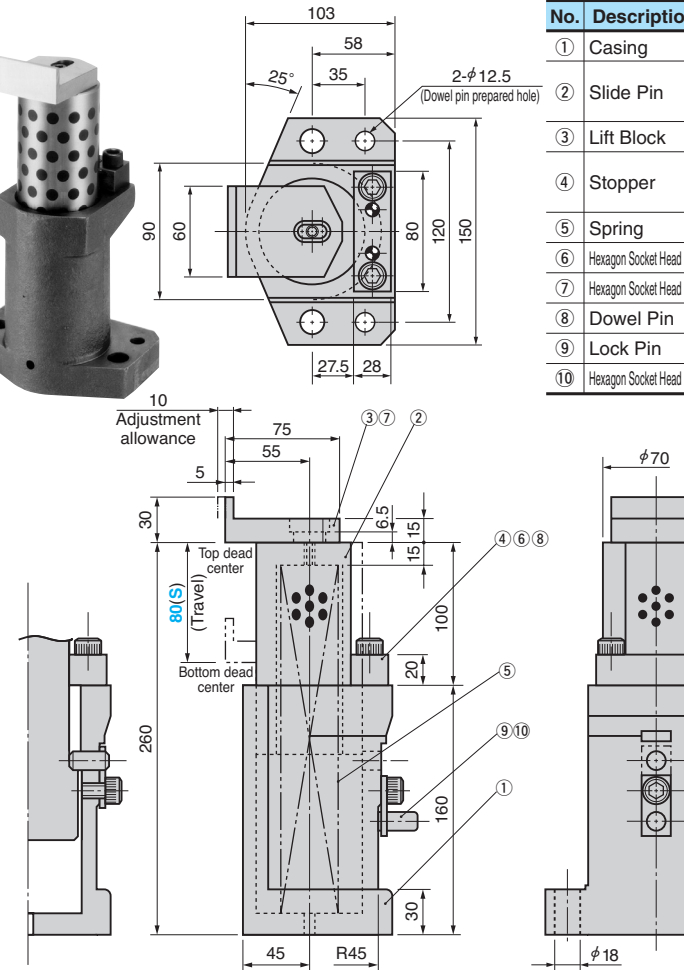


Table of Components

No.	Description	Qty	Material and Remark
①	Casing	1	FC250
②	Slide Pin	1	S20C with Graphite
③	Lift Block	1	SK3
④	Stopper	1	SK3 Hardness HRC40 to 45
⑤	Spring	1	TF40-250
⑥	Hexagon Socket Head Bolt	2	M12×40
⑦	Hexagon Socket Head Bolt	1	M8×20
⑧	Dowel Pin	2	φ8×40
⑨	Lock Pin	1	SS400
⑩	Hexagon Socket Head Bolt	1	M10×16

Spring		Mounting		Final		Travel (mm)
Outer diameter(mm)	Free length(mm)	Length(mm)	Initial load(N)	Length (mm)	Maximum load(N)	
35	150	138	160	88	810	50

Catalog No.	S
SOFLV	50



Order

Catalog No.	S
SOFLV	50

Spring		Mounting		Final		Travel (mm)
Outer diameter(mm)	Free length(mm)	Length(mm)	Initial load(N)	Length (mm)	Maximum load(N)	
40	250	230	200	150	1020	80

Catalog No.	S
SOFLV	80



Order

Catalog No.	S
SOFLV	80

Refer to page 341 for option parts.

Refer to page 341 for option parts.