

# Flange Lifter

SIDE MOUNT TYPE

CAD  
FILE

SOFLH50

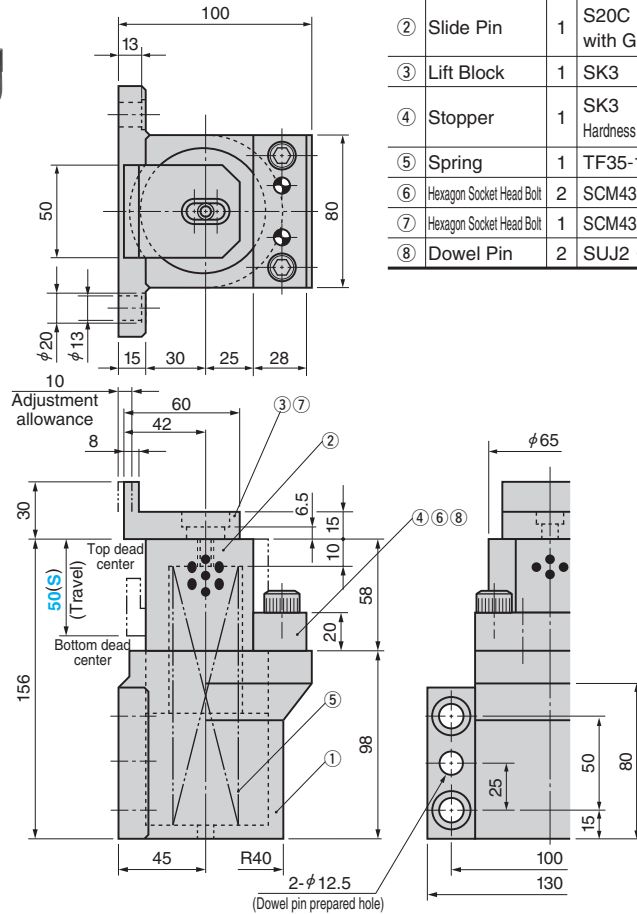


Table of Components

No.	Description	Qty	Material and Remark
①	Casing	1	FC250
②	Slide Pin	1	S20C with Graphite
③	Lift Block	1	SK3
④	Stopper	1	SK3 Hardness HRC40 to 45
⑤	Spring	1	TF35-150
⑥	Hexagon Socket Head Bolt	2	SCM435 M12×40
⑦	Hexagon Socket Head Bolt	1	SCM435 M8×20
⑧	Dowel Pin	2	SUJ2 φ8×30

This page  
intentionally  
left blank

Spring		Mounting		Final		Travel (mm)
Outer diameter(mm)	Free length(mm)	Length(mm)	Initial load(N)	Length(mm)	Maximum load(N)	
35	150	138	160	88	810	50

Catalog No.	S
SOFLH	50



Order

Catalog No.	S
SOFLH	50

Please refer to page 341 for option parts.