

Flange Lifter

PNEUMATIC TYPE

CAD
FILE

FLVK

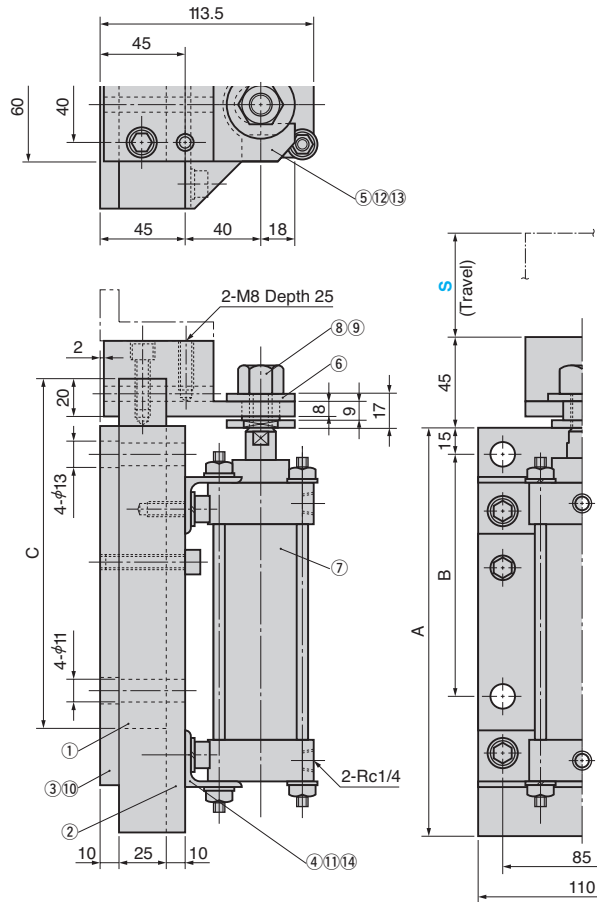


Table of Components

No.	Description	Qty	Material and Remark	No.	Description	Qty	Material and Remark
①	Oilless Plate	1	FC250 with Graphite	⑧	Hexagon Nut	1	M14×p1.5
②	Upper Plate	1	SS400	⑨	Split Pin	1	SUJ2 φ3×40
③	Lower Plate	1	SS400	⑩	Hexagon Socket Head Bolt	2	SCM435 M8×45
④	Angle Steel	2	SS400	⑪	Hexagon Socket Head Bolt	4	SCM435 M8×20
⑤	Lifter Plate	1	SS400	⑫	Hexagon Socket Head Bolt	2	SCM435 M8×25
⑥	Spacer	1	S25C	⑬	Spring Pin	1	SUJ2 φ8×45
⑦	Air Cylinder	1	XDC4LA40 By TAIYO	⑭	Spring Washer	4	SS400 For M8

A	B	C	Catalog No.	S
190	100	160	FLVK	50
215	125	185		75



Order

Catalog No.

S



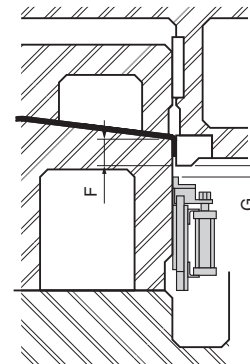
FLVK is made to order.

FLVK

75



Example



Guideline for Travel Selection

$$S \geq F + G$$

S: Travel of flange lifter

F: Travel of flanging

G: Allowance (Allow 10 mm or more.)

*Ideal for timed panel lifting