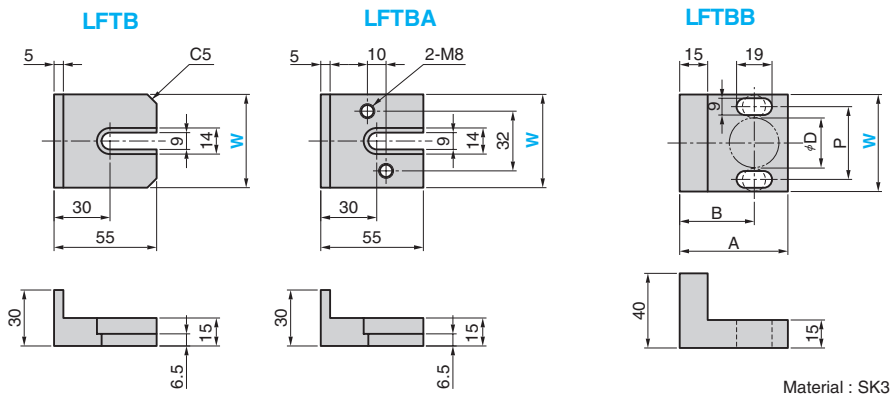
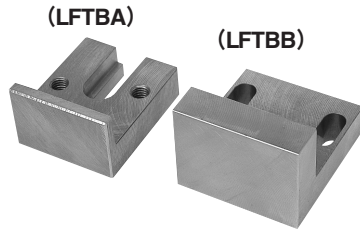


For Lifter

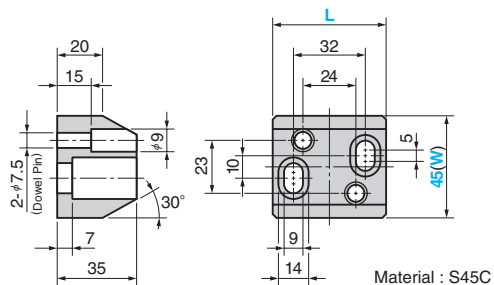
OPTION PARTS

CAD
FILE

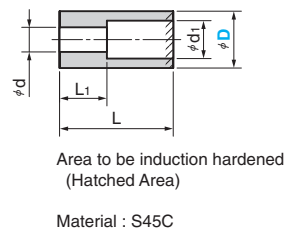
■ Lift Block



■ Rear Gauge FLRG



■ Advance Pin FLPPA



■ Lift Block

LFTBB Standard Part Table

W	A	B	P	D	Catalog No.	W
52	58	40	39	26	LFTB	50
62	64	40	48	35	LFTBA	60
75	80	55	55	42	LFTBB	52
					LFTBB	62



Order

Catalog No.

W

LFTB

50

■ Rear Gauge

Catalog No.	(W)	L
FLRG	45	50 55



Order

Catalog No.

W

L

FLRG

45

50
55

55

■ Advance Pin

Lift Block LFTBB	Advance Pin FLPPA	d	d ₁	L ₁	Catalog No.	D	L Increments of 10 mm
W	D	D					
52	26	25	9	14	FLPPA	25	40~100
62	35	30	13	20		30	50~150
75	42	35				35	50~150

See reference "L₁ dimension & recommended bolt"



Order

Catalog No.

D

—

L

FLPPA

30

—

80

■ L₁ Dimension & Recommended Bolt

Catalog No.	D	L	L ₁	Recommended Bolt
	25	40~60	20	M8×35
		70~100	40	M8×55
FLPPA	30	50~60	25	M12×50
		70~100	45	M12×70
	35	110~150	65	M12×90