

General Description of Planeveyor

PLANEVEYOR

■ Features of Planeveyor

Planeveyor has the unique sphere (patent pending) which is completely different from the conventional ball transfer system.

As shown in Fig. 1, the planeveyor supports load with the circumference. Therefore, many small balls are always in contact with the main ball. Thus, long durability and smooth rolling can be achieved.

If the planeveyor is used facing downward as shown in Fig. 2, it can also support load with the same sphere as in facing upward. Therefore, the planeveyor can function both upward and downward.

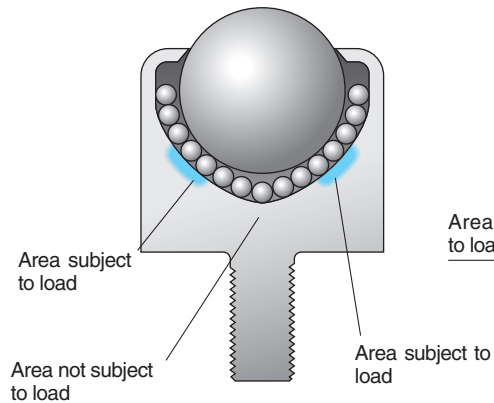


Fig. 1

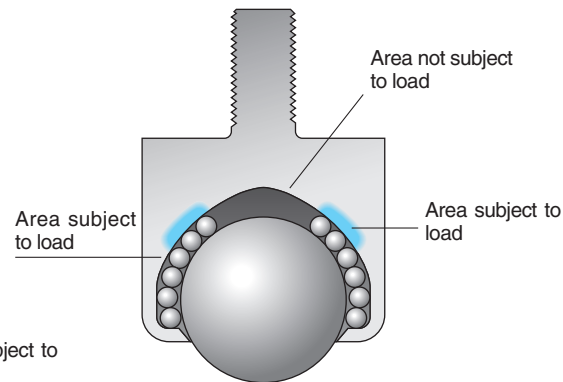
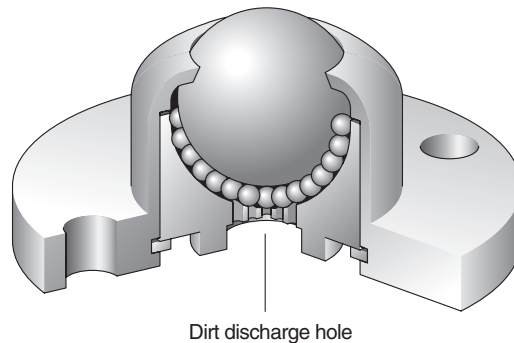


Fig. 2

■ Dirt Discharge Type

The planeveyor does not support load with the ball supporting surface right below the main ball as shown in Figs. 1 and 2. Therefore, many dirt removal holes can be drilled as shown in the right. The SV type is the planeveyor that has achieved the ultimate dirt removal system with this design concept.

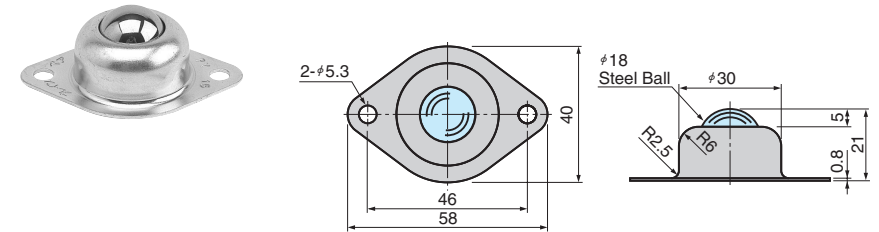


Planeveyor

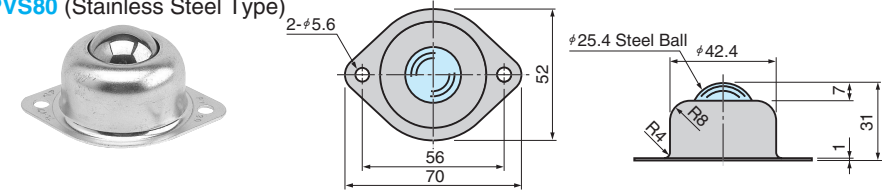
PRESS FORMING TYPE ONLY FOR UPWARD DIRECTION

Addition **CAD FILE**

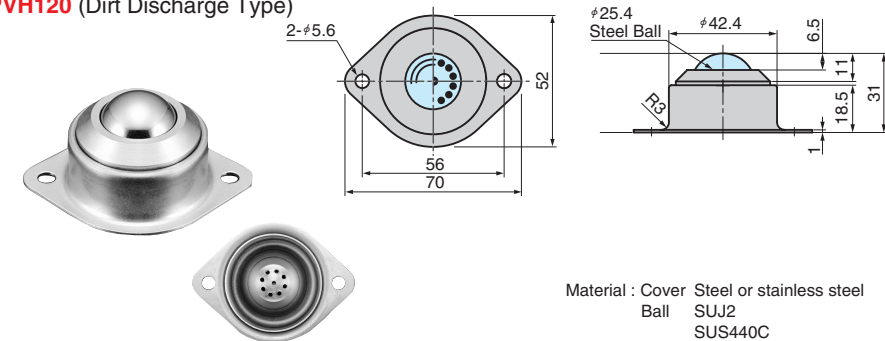
PV15
PVS15 (Stainless Steel Type)



PV30
PVS30 (Stainless Steel Type)
PV80
PVS80 (Stainless Steel Type)



PVH50 (Dirt Discharge Type)
PVH120 (Dirt Discharge Type)



Material : Cover Steel or stainless steel
Ball SUJ2
SUS440C

| Load Capacity kgf | Weight g | | Catalog No. | Nominal size |
|----------------------|----------|-----|-------------|-----------------|
| | PV | PVS | | |
| 15 | 52 | 49 | PV PVS | 15 |
| 30 | 147 | 138 | | 30 |
| 80 | 219 | 220 | | 80 |

| Load Capacity kgf | Weight g | | Catalog No. | Nominal size |
|----------------------|----------|-----|-------------|-----------------|
| | PVH | PVH | | |
| 50 | 142 | | PVH | 50 |
| 120 | 230 | | | 120 |



Order

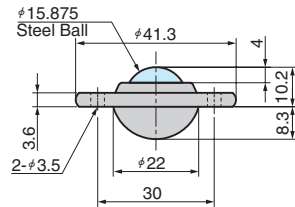
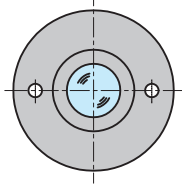
| Catalog No. | Nominal Size |
|-------------|--------------|
| PV PVH | 15 50 |

Planeveyor

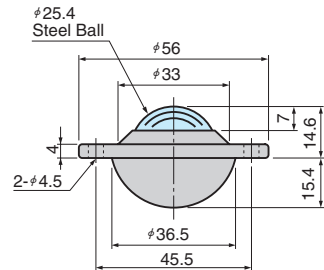
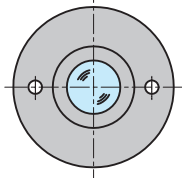
PRESS FORMING TYPE ONLY FOR UPWARD DIRECTION

Addition **CAD FILE**

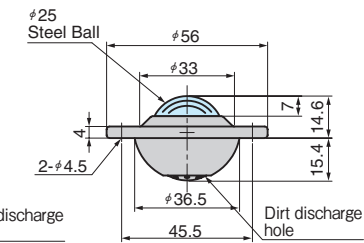
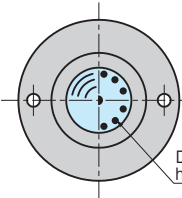
PVU15
PVUS15 (Stainless Steel Type)



PVU30
PVUS30 (Stainless Steel Type)



PVUH50 (Dirt Discharge Type)



Material : Cover Steel or stainless steel
Ball SUJ2
SUS440C

| Load Capacity kgf | Weight g | Catalog No. | Nominal size |
|-------------------|----------|-------------|--------------|
| 15 | 48 | PVU | 15 |
| 30 | 134 | PVUS | 30 |

| Load Capacity kgf | Weight g | Catalog No. | Nominal size |
|-------------------|----------|-------------|--------------|
| 50 | 136 | PVUH | 50 |



Order

| Catalog No. | Nominal Size |
|-------------|--------------|
| PVU | 15 |
| PVUH | 50 |

Planeveyor

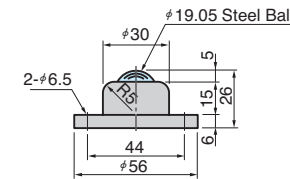
CUTTING TYPE

Addition **CAD FILE**

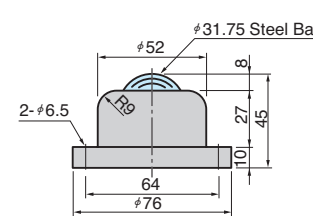
ONLY FOR UPWARD DIRECTION TYPE (PVF Series)



PVF50
PVFH50 (DIRT DISCHARGE TYPE ONLY FOR UPWARD DIRECTION TYPE)



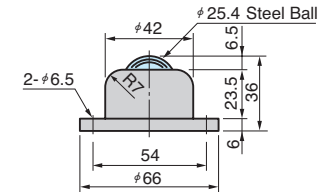
PVF160
PVFH160 (DIRT DISCHARGE TYPE ONLY FOR UPWARD DIRECTION TYPE)



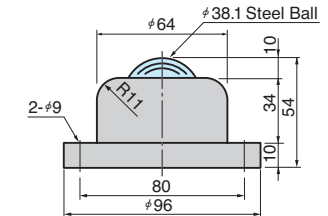
DIRT DISCHARGE TYPE ONLY FOR UPWARD DIRECTION TYPE (PVFH Series)



PVF120
PVFH120 (DIRT DISCHARGE TYPE ONLY FOR UPWARD DIRECTION TYPE)



PVF260
PVFH260 (DIRT DISCHARGE TYPE ONLY FOR UPWARD DIRECTION TYPE)



Refer to details from page 355 for the dirt discharge type.

Material : Cover Aluminum
Ball SUJ2
SUS440C

| Load Capacity kgf | Weight g | | Catalog No. | Nominal size |
|-------------------|----------|------|-------------|--------------|
| | PVF | PVFH | | |
| 50 | 111 | 109 | | 50 |
| 120 | 262 | 256 | PVF | 120 |
| 160 | 486 | 494 | PVFH | 160 |
| 260 | 865 | 847 | | 260 |



Order

| Catalog No. | Nominal Size |
|-------------|--------------|
| PVF | 50 |
| PVFH | 260 |

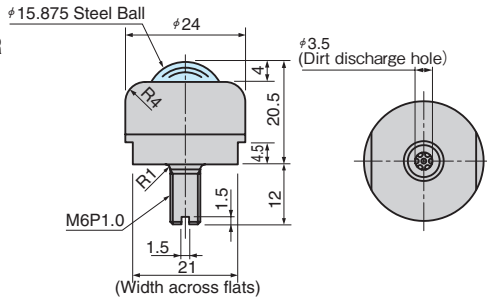
Planeveyor

CUTTING TYPE

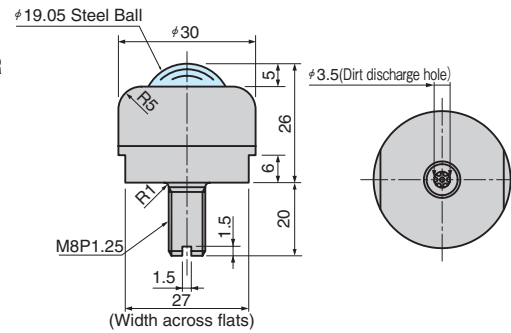
Addition

CAD FILE

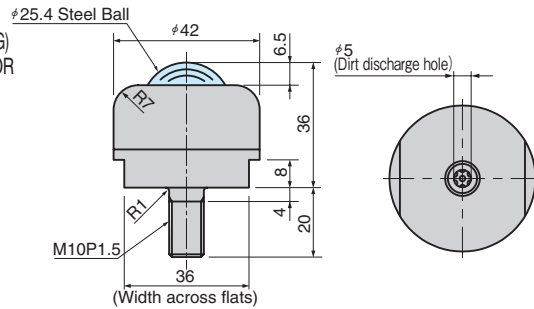
PVB20 (BOTH UPWARD AND DOWNWARD FACING)
PVBH20 (DIRT DISCHARGE TYPE ONLY FOR UPWARD DIRECTION TYPE)



PVB50 (BOTH UPWARD AND DOWNWARD FACING)
PVBH50 (DIRT DISCHARGE TYPE ONLY FOR UPWARD DIRECTION TYPE)



PVB120 (BOTH UPWARD AND DOWNWARD FACING)
PVBH120 (DIRT DISCHARGE TYPE ONLY FOR UPWARD DIRECTION TYPE)



Material : Cover Steel or stainless steel
Ball SUJ2 SUS440C

| Load Capacity kgf | Weight g | | Catalog No. | Nominal size |
|-------------------|----------|------|-------------|--------------|
| | PVB | PVBH | | |
| 20 | 53 | 48 | PVB PVBH | 20 |
| 50 | 109 | 94 | | 50 |
| 120 | 290 | 340 | | 120 |



Order

| Catalog No. | Nominal Size |
|-------------|--------------|
| PVB | 20 |
| PVBH | 50 |



Use it for casters.

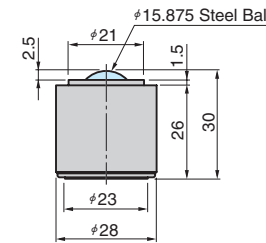
Planeveyor

BOTH UPWARD AND DOWNWARD SPRING CUSHION EMBEDDED TYPE

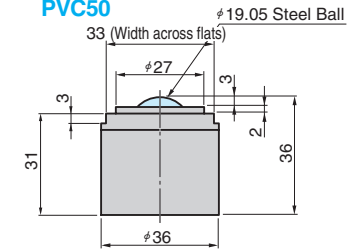
CAD FILE



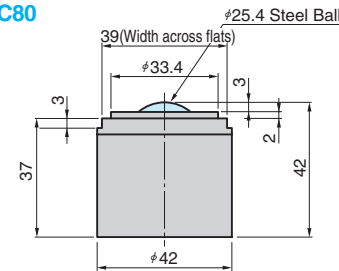
PVC20



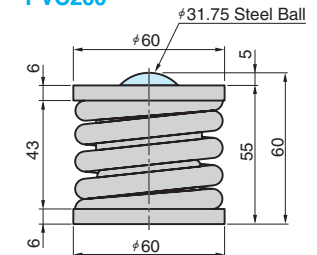
PVC50



PVC80



PVC200



Material : Cover Steel
Ball SUJ2

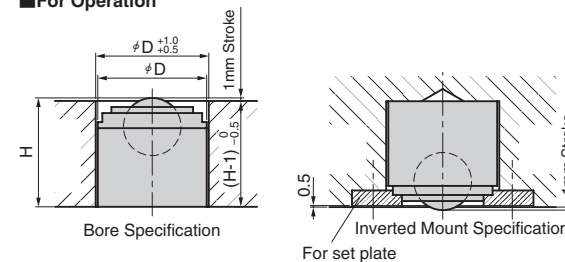
| Load Capacity kgf | Weight g | Catalog No. | Nominal size |
|-------------------|----------|-------------|--------------|
| 20 | 95 | PVC | 20 |
| 50 | 187 | | 50 |
| 80 | 314 | | 80 |
| 200 | 860 | | 200 |



Order

| Catalog No. | Nominal Size |
|-------------|--------------|
| PVC | 200 |

For Operation



Be sure to set all of the planeveyors at the same height with 1mm stroke.