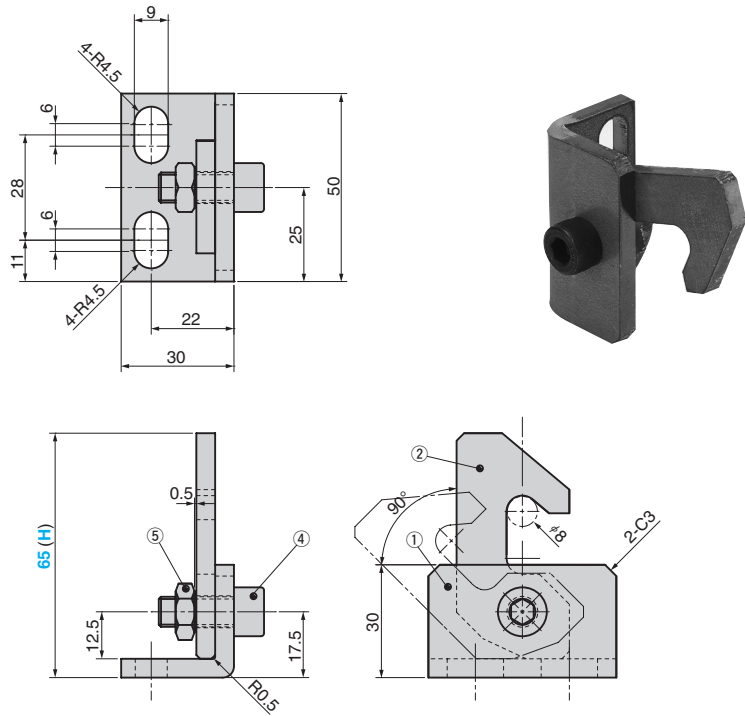


Stopper For Scrap Chute

STOPPER FOR SCRAP CHUTE

CAD
FILE

SKHS (Side mounting type)



SKHU (Upper mounting type)

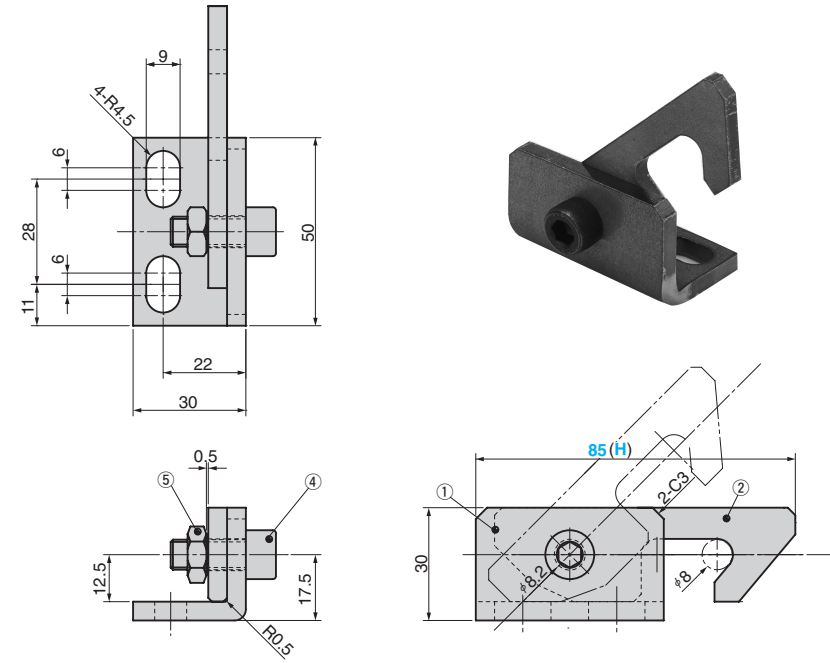


Table of Components

No.	Description	Qty	Material and Remark
①	Base	1	SPCC 30×30×5
②	Hook	1	SPCC t=5
④	Bolts with Hexagonal Socket Head	1	M8×20
⑤	Nut	1	M8

Side Mounting Type

Catalog No.	H
SKHS	65



Order

Catalog No.	H
SKHS	65

Upper Mounting Type

Catalog No.	H
SKHU	85



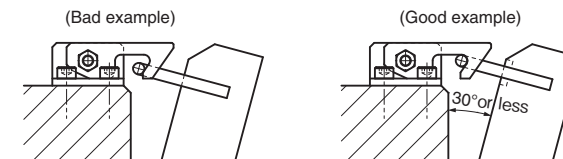
Order

Catalog No.	H
SKHU	85

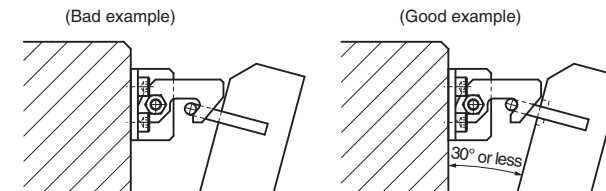


Example ☉ Quick storage is available.

SKHU



SKHS



- ⚠ Adjust the hook mounting position so that the hook center may be aligned with the round rod center.
- Install it so that the angle between the chute and the die surface may be 30° or less in storage.