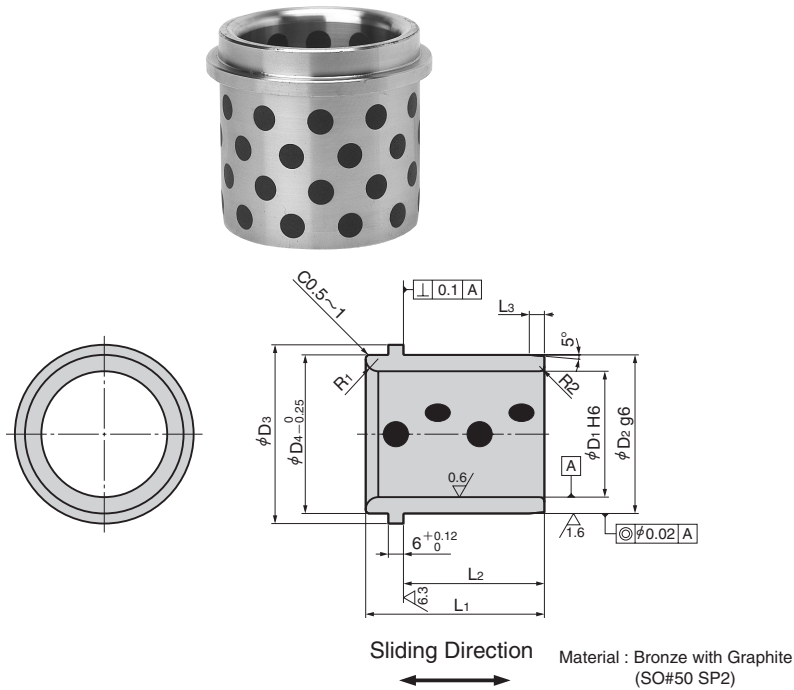


Guide Bushing

NAAMS STANDARD

CAD FILE

SNG61 Series



D1	D2	D3	D4	L1	L2	L3	R1	NAAMS Code	Catalog No.	
									Series Name	No.
25	32	40	32	40	30	4	3	G612540		2540
32	40	50	40	50	40	4	3	G613250		3250
40	50	63	50	63	50	5	3	G614063		4063
50	63	71	63	71	56	6	5	G615071		5071
63	80	90	80	80	63	8	6	G616380	SNG61	6380
80	100	112	100	100	80	10	8	G618010		8010
100	125	140	125	125	106	12	10	G611012		1012
115	140	155	140	140	120	12	10	G611114		1114
125	160	180	160	160	132	12	12	G611216		1216



Order

Catalog No.

Series Name No.

SNG61 4063 (SNG614063)

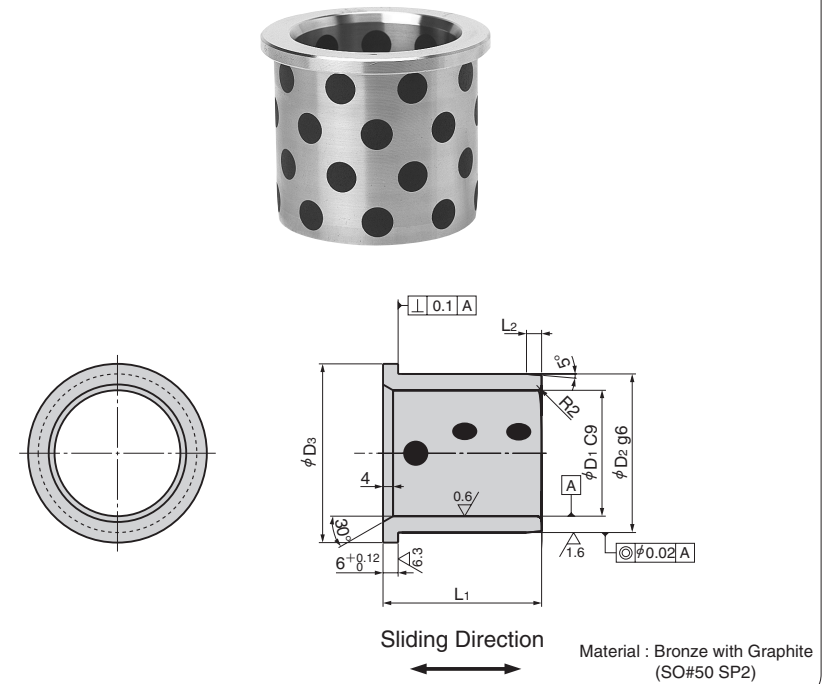
▲ SNG61 Series is made to order.

Guide Bushing

NAAMS STANDARD

CAD FILE

SNG71 Series



D1	D2	D3	L1	L2	NAAMS Code	Catalog No.	
						Series Name	No.
25	32	40	40	4	G712540		2540
32	40	50	50	4	G713250		3250
40	50	63	55	5	G714055		4055
50	63	71	63	6	G715063	SNG71	5063
63	80	90	75	8	G716375		6375
80	100	112	90	10	G718090		8090
100	125	140	115	12	G711011		1011
125	160	180	138	12	G711213		1213



Order

Catalog No.

Series Name No.

SNG71 4055 (SNG714055)

▲ SNG71 Series is made to order.