

Side Pin (Pad Retaining Pin)

NAAMS STANDARD

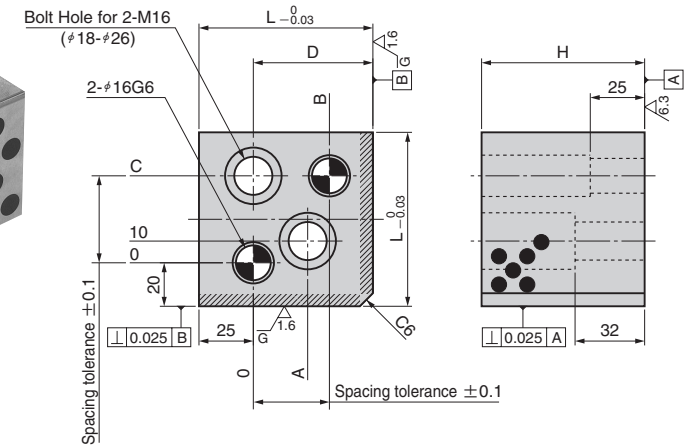
CAD FILE

Pad Guide Block

NAAMS STANDARD

CAD FILE

SNG11 Series



Material : 1045(S45C) with Graphite
Area to be Induction Hardened
(Hatched Area)
HRC40 or more

H	A	B	C	D	L	NAAMS Code	Catalog No.	
							Series Name	No.
75						G118007		8007
100	25	35	40	55	80	G118010		8010
125						G118012		8012
75						G119507		9507
100	40	50	55	70	95	G119510	SNG11	9510
125						G119512		9512
75						G111207		1207
100	65	75	80	95	120	G111210		1210
125						G111212		1212



Order

Catalog No.

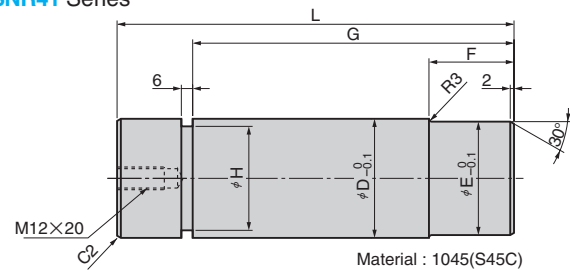
Series Name No.

SNG11 1212 (SNG111212)



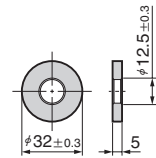
SNG11 Series is made to order.

SNR41 Series



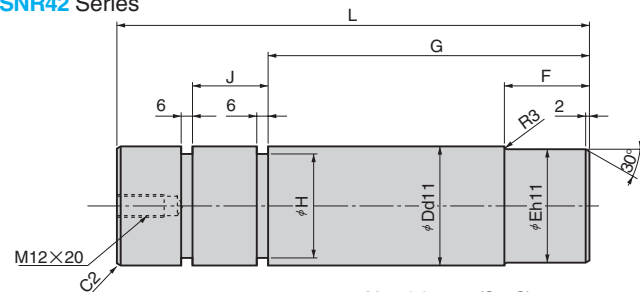
Material : 1045(S45C)

SNR430001



Material : 1020(SS400)

SNR42 Series



Material : 1045(S45C)

D	E	F	G	H	L	NAAMS Code	Catalog No.	
							Series Name	No.
25	22	25	75	17	110	R412511		2511
35	32	30	95	27	130	R413513	SNR41	3513
50	47	35	135	42	170	R415017		5017
63	60	45	170	55	210	R416321		6321

D	E	F	G	H	J	L	NAAMS Code	Catalog No.	
								Series Name	No.
25	22	25	75	17	20	130	R422513		2513
35	32	30	95	27	25	155	R423515	SNR42	3515
50	47	35	135	42	30	200	R425020		5020
63	60	45	170	55	40	250	R426325		6325

⚠ SNR41/42 Series is made to order.

NAAMS Code	Catalog No.	
	Series Name	No.
R430001	SNR43	0001



Order

Catalog No.

Series Name No.

SNR43 0001 (SNR430001)