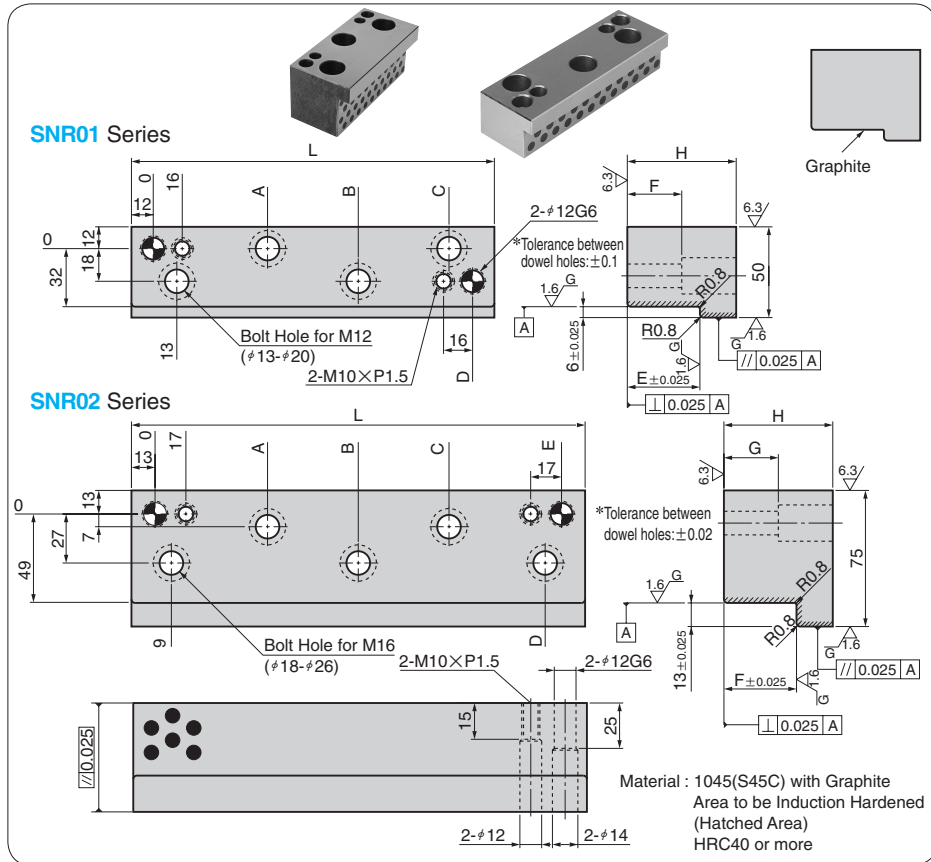


Keeper Block

NAAMS STANDARD

CAD FILE



No. of Holes	L	A	B	C	D	E	F	H	NAAMS Code	Catalog No.	
										Series Name	No.
2	75	—	—	38	51	25	15	37	R012507	SNR01	2507
	100	—	—	63	76				R012510		2510
3	150	—	63	113	126	32	15	45	R012515	SNR01	2515
4	200	63	113	163	176				R012520		2520
2	75	—	—	38	51	37	30	50	R013207	SNR01	3207
	100	—	—	63	76				R013210		3210
3	150	—	63	113	126	48	30	60	R013215	SNR01	3215
4	200	63	113	163	176				R013220		3220
2	75	—	—	38	51	37	30	50	R013707	SNR01	3707
	100	—	—	63	76				R013710		3710
3	150	—	63	113	126	48	30	60	R013715	SNR01	3715
4	200	63	113	163	176				R013720		3720
2	100	—	—	63	76	48	30	60	R014810	SNR01	4810
3	150	—	63	113	126				R014815		4815
4	200	63	113	163	176	48	30	60	R014820	SNR01	4820
	250	83	153	213	226				R014825		4825

No. of Holes	L	A	B	C	D	E	F	G	H	NAAMS Code	Catalog No.	
											Series Name	No.
2	100	—	—	—	65	74	35	25	50	R023510	SNR02	3510
3	125	49.5	—	—	90	99				R023512		3512
	4	150	62	—	—	115	124	R023515	3515			
200		62	—	112	165	174	R023520	3520				
5	225	62	99.5	137	190	199	R023522	3522				
	250	62	112	162	215	224	R023525	3525				
300	62	137	212	265	274	R023530	3530					
2	100	—	—	—	65	74	R024010	4010				
3	125	49.5	—	—	90	99	R024012	4012				
	150	62	—	—	115	124	R024015	4015				
4	200	62	—	112	165	174	40	25	60	R024020	SNR02	4020
	225	62	99.5	137	190	199	R024022	4022				
5	250	62	112	162	215	224	R024025	4025				
	300	62	137	212	265	274	R024030	4030				
2	100	—	—	—	65	74	R025010	5010				
3	125	49.5	—	—	90	99	R025012	5012				
	150	62	—	—	115	124	R025015	5015				
4	200	62	—	112	165	174	50	30	70	R025020	SNR02	5020
	225	62	99.5	137	190	199	R025022	5022				
5	250	62	112	162	215	224	R025025	5025				
	300	62	137	212	265	274	R025030	5030				
2	100	—	—	—	65	74	R025510	5510				
3	125	49.5	—	—	90	99	R025512	5512				
	150	62	—	—	115	124	R025515	5515				
4	200	62	—	112	165	174	55	35	80	R025520	SNR02	5520
	225	62	99.5	137	190	199	R025522	5522				
5	250	62	112	162	215	224	R025525	5525				
	300	62	137	212	265	274	R025530	5530				
2	100	—	—	—	65	74	R026510	6510				
3	125	49.5	—	—	90	99	R026512	6512				
	150	62	—	—	115	124	R026515	6515				
4	200	62	—	112	165	174	65	45	90	R026520	SNR02	6520
	225	62	99.5	137	190	199	R026522	6522				
5	250	62	112	162	215	224	R026525	6525				
	300	62	137	212	265	274	R026530	6530				
2	100	—	—	—	65	74	R027510	7510				
3	125	49.5	—	—	90	99	R027512	7512				
	150	62	—	—	115	124	R027515	7515				
4	200	62	—	112	165	174	75	45	100	R027520	SNR02	7520
	225	62	99.5	137	190	199	R027522	7522				
5	250	62	112	162	215	224	R027525	7525				
	300	62	137	212	265	274	R027530	7530				



Order

Catalog No.

▲ SNR01/02 Series is made to order.

Series Name No.

SNR02 7512 (SNR027512)