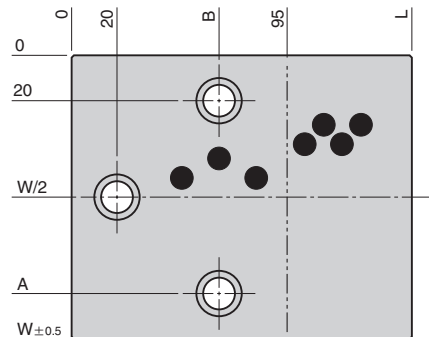
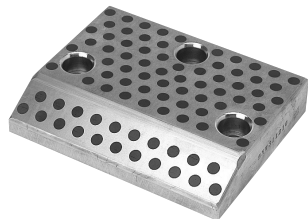


Cam Dwell Plate

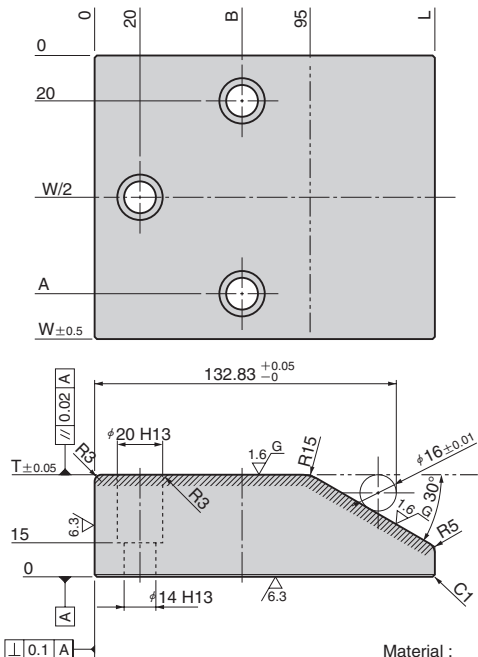
NAAMS STANDARD

CAD FILE

SNW11 (Steel with Graphite) Series
SNW31 (Bronze with Graphite) Series



SNW21 (Steel) Series



Material :
 SNW11 1045(S45C) with Graphite
 SNW21 1045(S45C)
 SNW31 Bronze with Graphite (SO#50 SP2)

T	W	L	A	B	NAAMS			Catalog No.	
					W11 Series	W21 Series	W31 Series	Series Name	No.
	100		80		W111210	W211210	W311210		1210
30	125	125	105	70	W111212	W211212	W311212		1212
	160		140		W111216	W211216	W311216		1216
	100		80		W111510	W211510	W311510	SNW11	1510
45	125	150	105		W111512	W211512	W311512	SNW21	1512
	160		140	65	W111516	W211516	W311516	SNW31	1516
	100		80		W111710	W211710	W311710		1710
60	125	170	105		W111712	W211712	W311712		1712
	160		140		W111716	W211716	W311716		1716



Order

Catalog No.	
Series Name	No.

SNW11 1716 (SNW111716)



SNW11/21/31 Series is made to order.

NAAMS Standard