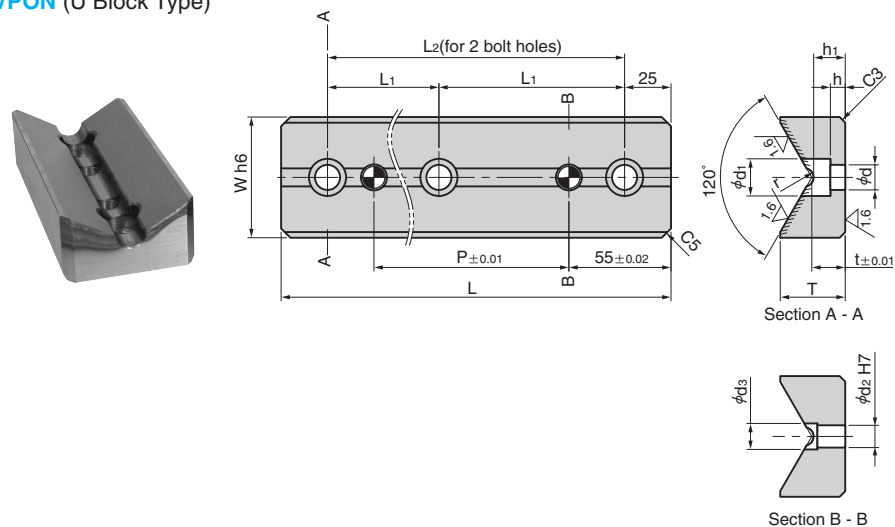
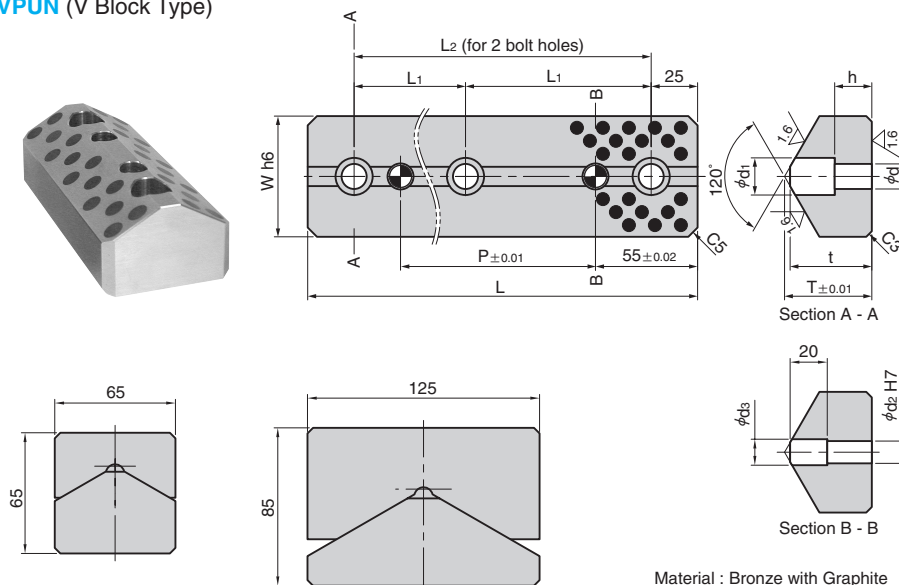


VPON (U Block Type)



Material : 1.1730-H(S45C)
Hardness : HRC55 or more(Hatched Area)

VPUN (V Block Type)



Material : Bronze with Graphite (SO#50 SP2)

Catalog No.	W	L	L ₁	L ₂	P	T	t	r	h	h ₁	d	d ₁	d ₂	d ₃
VPON-701	65	150	—	100	45	35	18	7	8	17	13.5	20	12	14
VPON-702		200	—	150	95									
VPON-703		250	100	—	145									
VPON-704		300	125	—	195									
VPON-711	125	150	—	100	45	60	28	10	15	24	17.5	26	16	18
VPON-712		200	—	150	95									
VPON-713		250	100	—	145									
VPON-714		300	125	—	195									

■ Mounting bolt · Dowel pin

W	Mounting bolt	Dowel pin
65	M12X25	φ12X32
125	M16X50	φ16X60

* Mounting bolt (DIN EN ISO4762)

* Dowel pin (DIN EN ISO8733/8735)



Order

Catalog No.

VPON-711

Catalog No.	W	L	L ₁	L ₂	P	T	t	h	d	d ₁	d ₂	d ₃
VPUN-751	65	150	—	100	45	47	44	20	13.5	20	12	14
VPUN-752		200	—	150	95							
VPUN-753		250	100	—	145							
VPUN-754		300	125	—	195							
VPUN-761	125	150	—	100	45	57	52	15	17.5	26	16	18
VPUN-762		200	—	150	95							
VPUN-763		250	100	—	145							
VPUN-764		300	125	—	195							

■ Mounting bolt · Dowel pin

W	Mounting bolt	Dowel pin
65	M12X35	φ12X32
125	M16X50	φ16X60

* Mounting bolt (DIN EN ISO4762)

* Dowel pin (DIN EN ISO8733/8735)



Order

Catalog No.

VPUN-751