

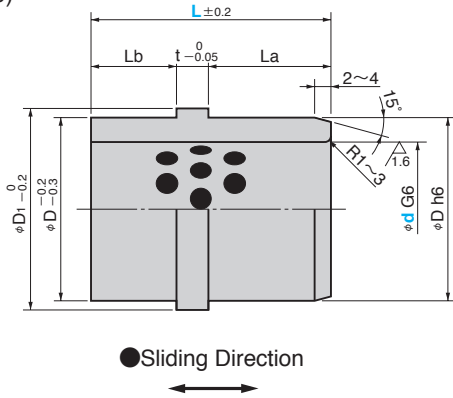
Ejector Guide Bushing

BRONZE WITH GRAPHITE TYPE

RoHS

SEGB (Flange thickness 4 mm Type)

SEGBK (Flange thickness 8 mm Type)



Material : Bronze with Graphite(SO#50 SP2)

*Operation ambient temperature: 0 to 170°C

d G6	D h6	D1	La	Lb	t	Catalog No.	d	L
16	+0.017 +0.006	25	30				16	12
								14
								19
								24
20	30	0 -0.013	35	10			20	12
								14
								19
								24
25	+0.020 +0.007	35	40		4	SEGB	25	12
								14
								19
								24
30	40	0 -0.016	45				30	14
								19
								24
								29
35	46		50	15			35	19
								24
								29
								38
40	+0.025 +0.009	52	57		20		40	24
								29
								38
								48
50	62	0 -0.019	67				50	24
								29
								38
								53

d G6	D h6	D1	La	Lb	t	Catalog No.	d	L
25	35	40	19	6			25	33
								24
30	40	45	29	11				48
								24
30	42	0 -0.016	47	15			30	47
								29
35	45		50	16			35	63
								32
40	50		55	20				60
								42
40	+0.025 +0.009			8	SEGBK	40	40	78
								24
								25
								29
45	55		60	21			45	88
								59
50	62	0 -0.019	67	30			50	98
								69
50	62		67	40			50	67
								39
60	+0.029 +0.010	74	82	30			60	87
								39



Order

Catalog No.	d	L
SEGB	30	43
SEGBK	25	38