

KOCU-S-□/2

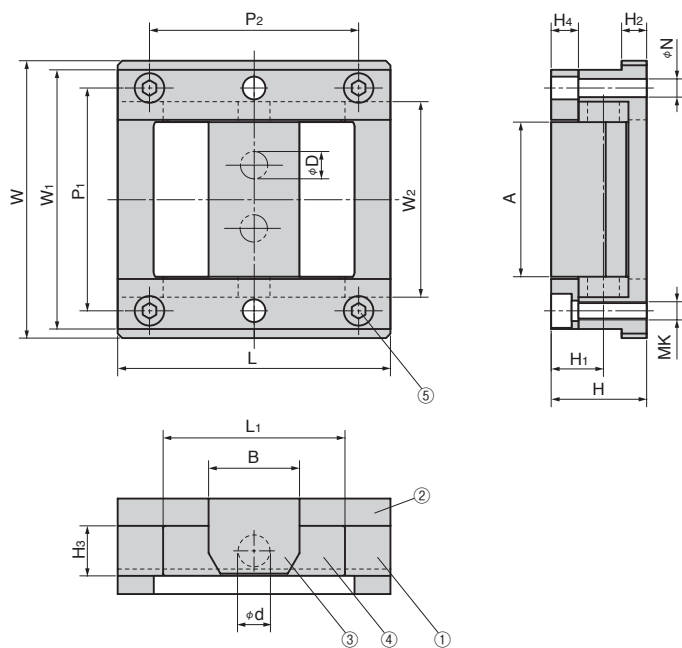
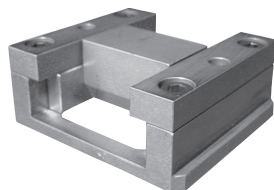


Table of Components

No.	Description	Qty	Material and Remark
①	Slide Base	1	CK55 (I C55 A 1055)
②	Upper Plate	2	CK55 (I C55 A 1055)
③	Pin Holder	1	CK45 (I C45 A 1045)
④	Slide Plate	2	SO#50SP2
⑤	Socket Head Screw	4	SCM435 (I 34CrMo4 A 4137)

D	d	A	B	H	H ₁	H ₂	H ₃	H ₄	L	L ₁	W	W ₁	W ₂	P ₁	P ₂	MK	N
12	10	40	25	32	18	7	16	10	70	50	80	74	54	62	50	M6	6
20	14	68	40	42	23	11	22	12	120	80	122	114	86	98	92	M8	8
30	18	98	50	55	30	15	30	15	170	110	160	152	120	133	130	M10	10
35	20	108	60	62	35	15	34	18	190	120	180	170	133	149	140	M12	10

D	Travel	Catalog No.
12	20	KOCU-S-12/2
20	40	KOCU-S-20/2
30	60	KOCU-S-30/2
35	70	KOCU-S-35/2



Order

Catalog No.

[KOCU-S-12/2](#)