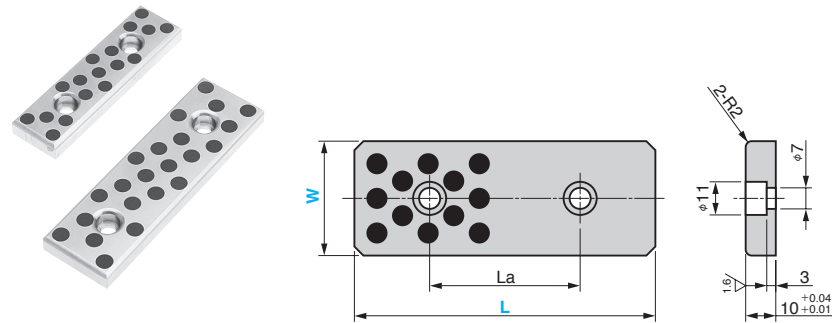


SOML



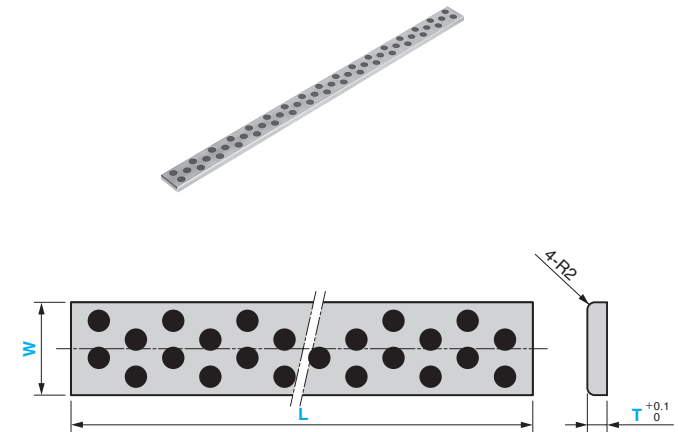
● Sliding Direction



▲ Bolt
M6 x 15

Material : Bronze with Graphite
(SO#50 SP2)

FPLB



● Sliding Direction



Material : Bronze with Graphite
(SO#50 SP2)

La	Catalog No.	W	L
45			75
50		18	100
75			125
100			150
45			75
50		28	100
75			125
100	SOML		150
45			75
50		38	100
75			125
100			150
45			75
50		48	100
75			125
100			150

▲ Order

Catalog No.	W	-	L
SOML	28	-	100

■ We are ready to accept requests or orders for special parts.

(Actual Size) T	Recommended Bolt	Catalog No.	W	L	(Nominal) T
			20		
5.3	M6 × 10 Countersunk head screw		25	305	5
			30	400	
			35		
10.3	M8 × 15 Hexagonal socket head round screw	FPLB	40		10
			50		
15.3			60	605	15
			80		
20.3	M10 × 20 Hexagon Socket Bolt		100		20

■ For Operation
• Cut or drill the plate as required.

▲ Order

Catalog No.	W	-	L	-	T
FPLB	25	-	305	-	5

▲ The Catalog No. was changed.
The specification is the same.

Old Catalog No.	New Catalog No.
SP	FPLB

■ We are ready to accept requests or orders for special parts.